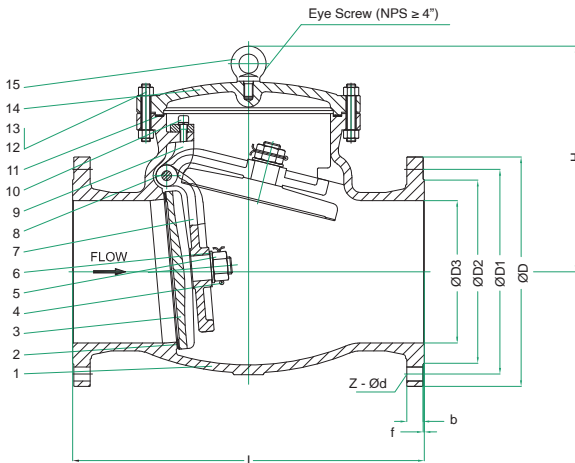




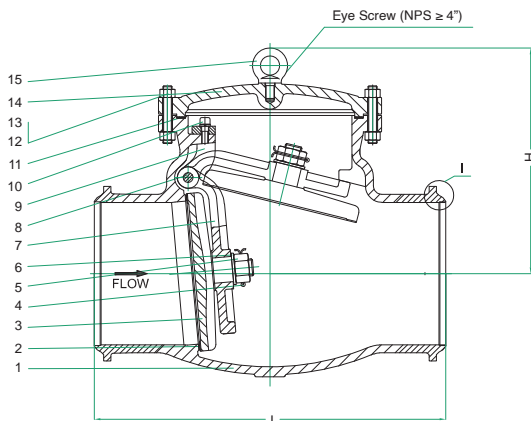
Features / Design

- 1.- Cast Steel, Bolted Cover, Std. Swing Check & Integral⁽¹⁾ Seats design.
- 2.- Sizes 2" to 24", Class 150# to 2500#.
- 3.- Basic design API 594 & ANSI B16.34.
- 4.- Butt Weld ends according to ANSI B16.25.
- 5.- Flanged ends dimensions ANSI B16.5 ($\varnothing \leq 24"$), ASME B16.47 ($\varnothing > 24$).
- 6.- Shell W.T.⁽²⁾ acc. to API 594, ANSI B16.34.
- 7.- Face to face acc. to ANSI B16.10.
- 8.- Inspection & Testing API 598.
- 9.- All trim available upon request.

Design for Flanged Ends

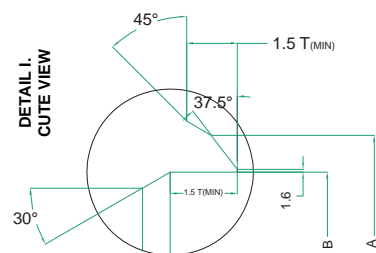


Design for Butt Weld Ends



Material List⁽³⁾

NO.	DESCRIPTION	MATERIAL	
		TRIM 5	TRIM 10
1	BODY	A216 WCB + STL6#	A351 CF8M
2	SEAT	A216 WCB + STL6#	A351 CF8M
3	DISC	A216 WCB + 13%Cr	A182 F316
4	COTTER PIN	STAINLESS STEEL	STAINLESS STEEL
5	RETAINING NUT	A194 2H	A194 8
6	DISC WASHER	CARBON STEEL	CARBON STEEL
7	HINGE	A216 WCB	A351 CF8M
8	HINGE PIN	CARBON STEEL	CARBON STEEL
9	YOKE	A216 WCB	A351 CF8M
10	SCREW	CARBON STEEL	CARBON STEEL
11	GASKET	SS304 + GRAPHITE ⁽⁴⁾	SS316 + GRAPHITE ⁽⁴⁾
12	STUD	A193 B7	A193 B8
13	NUT	A194 2H	A194 8
14	COVER	A216 WCB	A351 CF8M
15	EYE SCREW	CARBON STEEL	CARBON STEEL



NOTES:

- (1) Valve also available with renewable seats, please consult with manufacturer.
- (2) Wall Thickness.
- (3) Material list as example, other materials and trims available; please contact us.
- (4) Flexible Graphite.



Dimensions (inches)

ANSI CLASS 150#

SIZE	ØD3 (in)	L (in)	H (in)	ØD (in)	ØD1 (in)	ØD2 (in)	b (in)	f (in)	Z (in)	Ød (in)	ØA ⁽⁵⁾ (in) sch. 40	ØB ⁽⁵⁾ (in) sch. 40	CV (USgpm)	Weight (lb)
2"	2.008	7.992	5.512	5.906	4.752	3.626	0.563	0.079	4	0.748	2.441	2.066	—	33.069
2 1/2"	2.520	8.504	7.087	7.087	5.500	4.126	0.626	0.079	4	0.748	2.953	2.468	—	48.502
3"	2.992	9.488	7.087	7.480	6.000	5.000	0.689	0.079	4	0.748	3.583	3.068	710	61.729
4"	4.016	11.496	9.252	9.055	7.500	6.189	0.878	0.079	8	0.748	4.606	4.026	1300	90.390
6"	5.984	14.016	10.827	11.024	9.500	8.500	0.941	0.079	8	0.886	6.7722	6.066	3100	145.505
8"	7.992	19.488	13.780	13.583	11.752	10.626	1.063	0.079	8	0.886	8.780	7.982	5720	368.123
10"	10.000	24.488	15.157	15.945	14.252	12.748	1.126	0.079	12	1.004	10.945	10.022	8940	374.786
12"	12.008	27.480	17.323	19.094	17.000	15.000	1.189	0.079	12	1.004	12.953	11.943	13350	584.225
14"	13.268	30.984	20.276	21.063	18.752	16.252	1.315	0.079	16	1.122	14.252	13.1 24	16275	925.942
16"	15.236	34.016	23.228	23.425	21.252	18.500	1.378	0.079	16	1.122	16.260	15.000	21560	1212.543
18"	17.244	38.504	23.819	25.000	22.752	21.000	1.500	0.079	20	1.260	18.268	16.876	28720	1653.468
20"	19.252	38.504	28.346	27.559	25.000	23.000	1.626	0.079	20	1.260	20.315	18.812	35760	2039.278
24"	23.268	50.984	31.496	32.087	29.500	27.252	1.815	0.079	20	1.378	24.370	22.624	52165	3130.567

ANSI CLASS 300#

SIZE	ØD3 (in)	L (in)	ØD (in)	ØD1 (in)	ØD2 (in)	b (in)	f (in)	Z (in)	Ød (in)	ØA ⁽⁵⁾ (in) sch. 40	ØB ⁽⁵⁾ (in) sch. 40	CV (USgpm)	Weight (lb)
2"	2.008	10.512	6.496	5.000	3.626	0.815	0.079	8	0.748	2.441	2.066	*	*
2 1/2"	/	/	/	/	4.126	/	0.079	8	/	2.953	2.468	*	*
3"	2.992	12.520	8.268	6.626	5.000	1.063	0.079	8	0.886	3.583	3.068	*	*
4"	4.016	14.016	10.039	7.874	6.189	1.189	0.079	8	0.886	4.606	4.026	*	*
6"	5.984	17.480	12.598	10.626	8.500	1.378	0.079	12	0.886	6.7722	6.066	*	*
8"	7.992	20.984	14.961	13.000	10.626	1.563	0.079	12	1.004	8.780	7.982	*	*
10"	10.000	24.488	17.520	15.252	12.748	1.815	0.079	16	1.122	10.945	10.022	*	*
12"	12.008	27.992	20.472	17.748	15.000	1.941	0.079	16	1.260	12.953	11.943	*	*
14"	13.268	32.992	23.031	20.252	16.252	2.063	0.079	20	1.260	14.252	13.1 24	*	*
16"	15.236	34.016	25.591	22.500	18.500	2.189	0.079	20	1.378	16.260	15.000	*	*
18"	17.244	38.504	27.953	24.748	21.000	2.315	0.079	24	1.378	18.268	16.876	*	*
20"	19.252	40.000	30.512	27.000	23.000	2.441	0.079	24	1.378	20.315	18.812	*	*
24"	22.992	52.992	36.024	32.000	27.252	2.689	0.079	24	1.614	24.370	22.624	*	*

NOTE:

* Please consult with manufacturer.

(5) Butt weld schedule 40, for others please check with supplier.



Dimensions (inches)

ANSI CLASS 600#

SIZE	ØD3 (in)	L (in)	ØD (in)	ØD1 (in)	ØD2 (in)	b (in)	f (in)	Z (in)	Ød (in)	ØA ⁽⁵⁾ (in) sch. 40	ØB ⁽⁵⁾ (in) sch. 40	CV (USgpm)	Weight (lb)
2"	2.008	11.496	6.496	5.000	3.626	1.000	0.276	8	0.748	2.441	2.066	*	*
2 1/2"	/	/	/	/	4.126	/	/	8	/	2.953	2.468	*	*
3"	2.992	14.016	8.268	6.626	5.000	1.252	0.276	8	0.886	3.583	3.068	*	*
4"	4.016	17.008	10.827	8.500	6.189	1.500	0.276	8	1.004	4.606	4.026	*	*
6"	5.984	22.008	13.976	11.500	8.500	1.878	0.276	12	1.122	6.7722	6.066	*	*
8"	7.874	25.984	16.535	13.748	10.626	2.189	0.276	12	1.260	8.780	7.982	*	*
10"	9.764	30.984	20.079	17.000	12.748	2.500	0.276	16	1.378	10.945	10.022	*	*
12"	11.732	32.992	22.047	19.252	15.000	2.626	0.276	20	1.378	12.953	11.943	*	*
14"	12.874	35.000	23.819	20.748	16.252	2.752	0.276	20	1.496	14.252	13.124	*	*
16"	14.764	39.016	26.969	23.748	18.500	3.000	0.276	20	1.614	16.260	15.000	*	*
18"	16.496	42.992	29.331	25.748	21.000	3.252	0.276	20	1.752	18.268	16.876	*	*
20"	18.268	47.008	32.087	28.500	23.000	3.500	0.276	24	1.752	20.315	18.812	*	*
24"	22.008	55.000	37.008	33.000	27.252	4.000	0.276	24	2.008	24.370	22.624	*	*

NOTE:

* Please consult with manufacturer.

(5) Butt weld schedule 40, for others please check with supplier.



How to Order

BODY DESIGN (SERIES)	BONNET DESIGN	DISC DESIGN	SPECIAL FEATURES	MATERIAL		ENDS	CLASS	SIZE ⁽⁹⁾	OPERATION
				BODY	TRIM*				
70 Check Valve API 594	B Bolted Cover	W Swing Check	None None	20 A216 WCB	01 Obsolete	F Flanged RF ⁽¹⁰⁾ R Flanged RTJ ⁽¹⁰⁾ B Butt Weld	0 ANSI 150# 3 ANSI 300# 6 ANSI 600# 9 ANSI 900# 1 ANSI 1500# 2 ANSI 2500#	02 2" 2.5 2 1/2" 03 3" 04 4" 05 5" 06 6" 08 8" 10 10" 12 12" 14 14" 16 16" 18 18" 20 20" 24 24"	None
			6D API 6D	21 A216 WCC	02 Obsolete				
			N NACE	22 A350 LCB ⁽⁶⁾	05 BM+STL6/ BM+STL6/ (410 or 13Cr)				
			ND NACE / API 6D	23 A352 LC3 ⁽⁶⁾					
			F Fire Safe	24 A217 WC1	06 BM+13Cr/ Monel/				
			O Oxygen Service	25 A217 WC6 ⁽⁷⁾	08 BM+13Cr				
			SH Hydraulic Non Slam	26 A217 WC9 ⁽⁷⁾	08 BM+13Cr/ BM+STL6/ (410 or 13Cr)				
			SD Dead Weight Non Slam	27 A217 C5 ⁽⁷⁾					
			G Fire Safe / NACE	28 A217C12 ⁽⁶⁾	09 Monel				
				30 A351 CF8M ⁽⁸⁾	10 316 SS				
				31 A351 CF3M ⁽⁸⁾	11 Monel/ Monel+STL6/ Monel				
				32 A351 CF8 ⁽⁸⁾					
				33 A351 CF3 ⁽⁸⁾	12 316SS/ 316SS+STL6/ 316SS				
				40 Monel					
				41 Alloy 20	13 CN7M/CN7M/ B473				
				42 Hastelloy					
				45 Duplex	14 CN7M/ CN7M+STL6/ B473				
				46 Triballoy 900					
				47 Incolloy 800	15 304SS+STL6/ 304SS+STL6/ 304SS				
				48 Incolloy 825	16 316SS+STL6/ 316SS+STL6/ 316SS				
		17 347+STL6/ 347+STL6/ 347							
		18 CN7M+STL6/ CN7M+STL6/ B473							

Example:

Swing Check Valve API 594, Bolted Cover, Body WCB, Trim 5, Flanged ANSI Class 150#, Size 6".

70BW2005F006

NOTES:

*TRIM = Disc Seat / Seat Ring / Hinge Pin.

* HF = Hard Faced, usually Stellite 6; other upon request.

* BM = Body Material.

(6) Low Temperature Service.

(7) High Temperature Service.

(8) Stainless Steel.

(9) Please contact us for more available sizes.

(10) Flanged valves are flange welded (non integral body), available from 150# to 600#.

