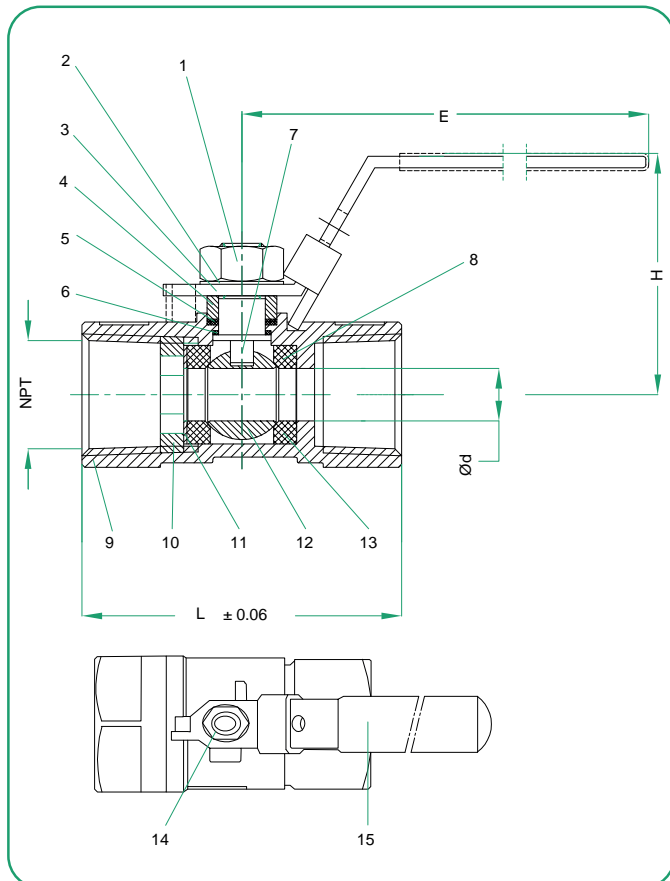




Features

- 1.- Standard port.
- 2.- Blow-out stem proof.
- 3.- Investment cast body construction.
- 4.- 1000# WOG from 1/4" - 1 1/4".
- 5.- 800# WOG from 1 1/2" - 2".
- 6.- Economical compact design.
- 7.- Low operation torque.
- 8.- Threaded NPT ends ANSI B1.20.1.
- 9.- Manufactured in ISO 9001 approved facility.
- 10.- Comply with API 598.



Material List

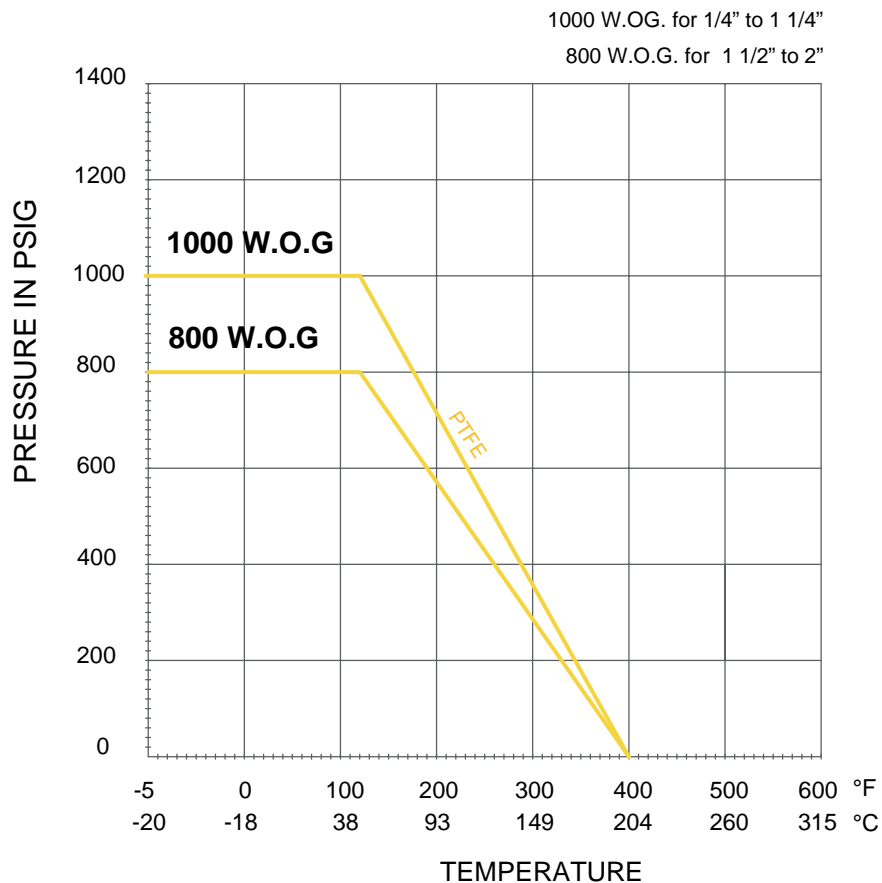
POS	DESCRIPTION	CARBON STEEL OPTION	STAINLESS STEEL OPTION
1	NUT	ASTM A192 2HM	ASTM A194 8M
2	SPRING WASHER	AISI 304	AISI 304
3	HANDLE	AISI 201	AISI 201
4	GLAND	ASTM A182 F304	ASTM A182 F304
5	PACKING	PTFE	PTFE
6	THRUST GASKET	PTFE	PTFE
7	STEM	ASTM A182 F316	ASTM A182 F316
8	ON SEAT	PTFE	PTFE
9	BODY	ASTM A216 WCB	ASTM A351 CF8M
10	LOCK NUT	STAINLESS STEEL	STAINLESS STEEL
11	WASHER	STAINLESS STEEL	STAINLESS STEEL
12	BALL	ASTM A182 F316	ASTM A182 F316
13	SEAT	PTFE	PTFE
14	NUT	ASTM A192 2HM	ASTM A194 8M
15	HANDLE SLEEVE	VYNIL	VYNIL



Dimension (inches)

<i>NPS</i>	<i>Ød</i> (in)	<i>L</i> (in)	<i>H</i> (in)	<i>E</i> (in)	<i>NTP</i> (in)	<i>CV</i> (USgal/min)	<i>TORQUE</i> (lb*in)	<i>WEIGHT</i> (lb)
1/4"	0.197	1.575	1.26	2.835	1/4"	1.5	17.7	0.2
3/8"	0.276	1.732	1.26	2.835	3/8"	1.5	26.55	0.2
1/2"	0.354	2.126	1.417	3.74	1/2"	2	30.98	0.33
3/4"	0.472	2.323	1.496	3.937	3/4"	3.3	30.98	0.5
1"	0.591	2.795	1.772	4.528	1"	7.07	39.83	0.79
1 1/4"	0.787	3.071	2.165	4.921	1 1/4"	12.25	61.96	1.23
1 1/2"	0.984	3.307	2.362	4.921	1 1/2"	20.6	75.23	1.5
2"	1.26	3.976	2.48	5.512	2"	28.3	128.3	2.47

Pressure-Temperature Chart



How to Order

CLASS	VALVE BODY DESIGN (SERIES)	MATERIAL			ENDS	SIZE		OPERATION
		BODY	TRIM	SEAT				
1 800/1000# WOG ⁽¹⁾	1Z Economic Std Port Ball Valve 1 Pc Design	2 WCB	3 316 SS	P PTFE	T Threaded	0.25	1/4"	L Manual Lever Operator
		3 CF8M	4 304 SS			0.38	3/8"	
						0.5	1/2"	C Manual Lever with Locking Device
						0.75	3/4"	
						01	1"	
						01.25	1 1/4"	
						01.5	1 1/2"	
						02	2"	

Example:

Economic Full Port Ball Valve Body & Trim 316SS, Seats: PTFE, Ends: Threaded, 1/2" 1000# WOG with Lever.

11Z33PT0.5L

NOTE:
(1) 1000# WOG from 1/4" to 1 1/4", 800# WOG from 1 1/2" to 2".