

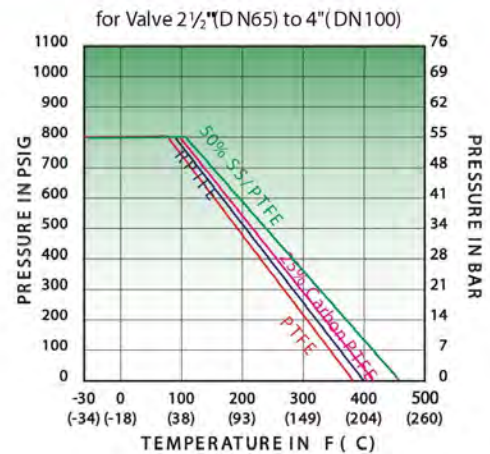
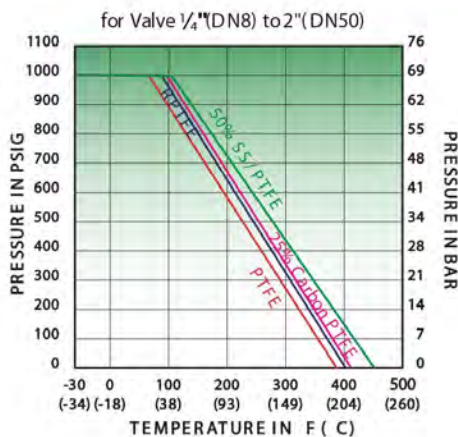
Series 13S

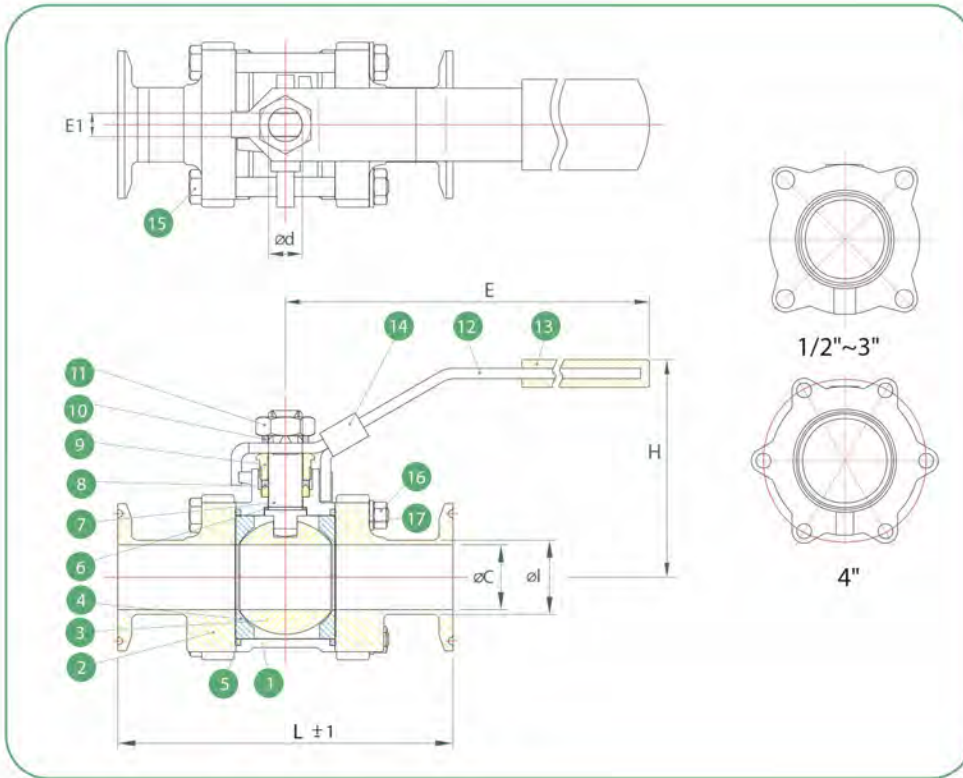


## FEATURES

- TRUE TUBE FULL PORT DESIGN, MINIMIZES DROP PRESSURE & ELIMINATES TRAP AREAS
- 3-PIECE SWING-OUT DESIGN ALLOWS IN-LINE MAINTENANCE
- LOCKING DEVICE
- PTFE CAVITY FILLER SEATS (WIDE RANGE OF SEAT AND SEAL MATERIALS AVAILABLE)
- PACKING "V" RING DESIGN
- ADJUSTABLE STEM PACKING
- BLOW-OUT PROOF STEM
- INVESTMENT CAST BODY CONSTRUCTION
- 1000 PSI (69 BAR) WOG.
- 2000 PSI AVAILABLE UPON REQUEST
- END CONNECTIONS: TRI-CLAMP, TUBE BUTT WELD.
- WETTED PARTS POLISHING STANDARD: 240 GRIT / 8-20 RA
- MANUFACTURED IN ISO 9001 APPROVED FACILITY
- COMPLY WITH API 608

## PRESSURE-TEMPERATURE CHART





### MATERIAL LIST

No.	PART NAME	MATERIAL
1	BODY	CF8M
2	END CAP	CF3M
3	BALL	SS 316
4	SEAT	PTFE
5	JOINT GASKET	PTFE
6	STEM SEAL	PTFE
7	STEM	SS 316
8	GLAND PACKING	PTFE
9	GLAND NUT	SS 304
10	STEM WASHER	SS 304
11	STEM NUT	SS 304
12	HANDLE	SS 304
13	HANDLE SLEEVE	VINYL
14	LOCKING DEVICE	SS 304
15	BOLT	SS 304
16	BOLT NUT	SS 304
17	BOLT WASHER	SS 304

### DIMENSION (INCHES)

SIZE	ØC	ØI	Ød	L			H	E	E1	Weight (Lbs)			TORQUE (IN-LB)	CV
				BW	EXT. BW	CLAMP				BW	EXT. BW	CLAMP		
1/2"	0.37	0.50	0.37	2.61	5.50	3.51	2.52	5.20	0.26	1.11	1.23	1.32	89	14
3/4"	0.62	0.75	0.37	2.95	5.75	4.00	2.64	5.20	0.26	1.58	1.76	1.76	106	45
1"	0.87	1.00	0.43	3.71	6.25	4.51	2.95	6.57	0.31	2.08	2.31	2.62	150	81
1 1/2"	1.37	1.50	0.55	4.52	7.50	5.52	3.54	7.56	0.38	4.95	5.50	5.72	354	215
2"	1.87	2.00	0.55	5.04	8.50	6.26	3.86	7.56	0.38	7.48	8.32	8.56	425	410
2 1/2"	2.37	2.50	0.75	6.30	9.75	6.85	5.39	9.92	0.47	16.32	18.13	17.86	867	618
3"	2.87	3.00	0.75	6.94	10.50	7.61	5.79	9.92	0.47	22.14	24.60	24.64	982	980
4"	3.83	4.00	0.94	8.27	12.50	8.90	6.89	11.10	0.59	38.35	42.61	42.66	1097	1840



**HOW TO ORDER**

CLASS	SERIES		FEATURES		MATERIAL				ENDS		SIZE		OPERATION				
		VALVE BODY DESIGN			BODY	BALL	SEAT										
1	1000# WOG	3S	Full Port 3 Pcs Sanitary Ball Valve	NONE	NONE	3	CF8M	3	316SS	PS	Std PTFE	B	Welded	0.5	1/2"	L	Manual Lever Operator
				D	DIN	4	CF8	4	304 SS	PC	Cavity Filler PTFE	C	Clamp	0.75	3/4"		
				M	SMS	5	CF3M	5	316L SS			M	Two Different Ends	01	1"		
				I	ISO	7	CF3	7	304L SS			01.25		1 1/4"			
				D	IDF							01.5		1 1/2"			
				R	RJT							02		2"			
				S	DS							02.5		2 1/2"			
				A	3A							03		3"			
				B	BS							04		4"			
															C	Manual Lever Operator with Locking Device	
															B	Bare Shaft	
															O	Oval Handle	
															SR	Spring Return Sliding Lock	
															X	Economical Stem Extention	
															P	Pneumatic Actuator	
															E	Electric Actuator	

Example

3 Pcs Full Port Sanitary Ball Valve, Body & Trim 316SS, Cavity Filler Seats: PTFE, Ends: Clamp, 1/2" 1000# WOG with Manual Lever with Locking Device.

**13S33PCC0.5C**

