



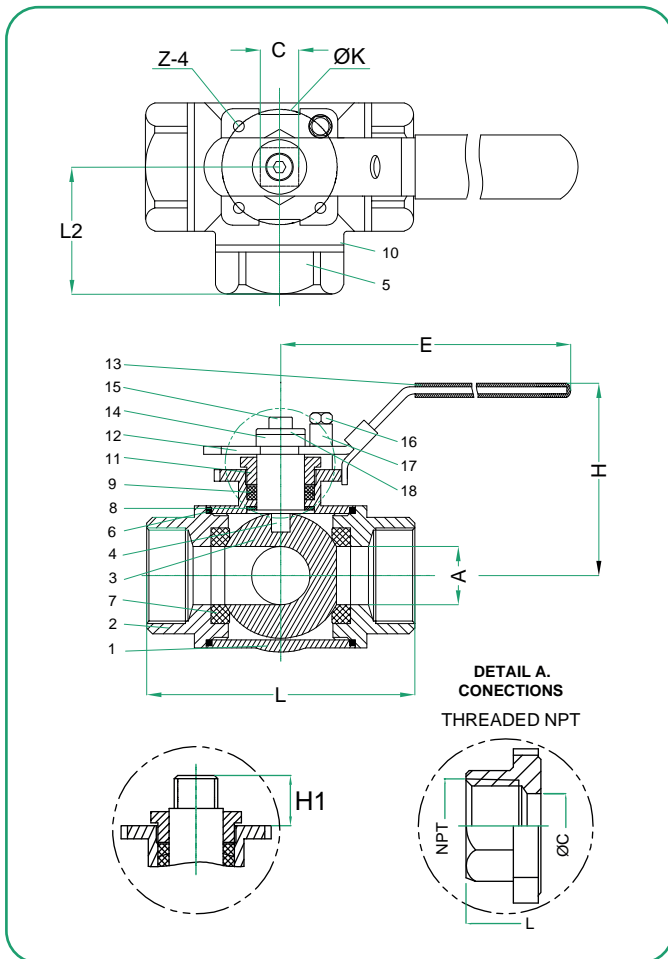
Features / Design

- 1.- **Cost Efficient.** One valve can replace two or more valves, reduces the number of valves in piping system.
- 2.- Investment cast body construction; 3 ends cap design.
- 3.- **Four seats design.** Glass fiber reinforced PTFE seats.
- 4.- Adjustable stem packing & Blow-Out stem proof.
- 5.- "L" Port / "T" Port.
- 6.- 1000 PSI W.O.G.
- 7.- Threaded ends ANSI B1.20.1.
- 8.- Locking device.
- 9.- Manufactured in ISO 9001 approved facility.
- 10.- Inspection and testing according to API 598.

Material List

NO.	DESCRIPTION	MATERIAL
1	BODY	A351 CF8M
2	CAP	A351 CF8M
3	BALL	A351 CF8M
4	STEM	SS316
5	END CAP	A351 CF8M
6	BODY SEAL	PTFE
7	SEAT	R-PTFE
8	THRUST WASHER	PTFE
9	STEM PACKING	PTFE
10	BODY SEAL	PTFE
11	GLAND NUT	SS304
12	HANDLE	SS304
13	HANDLE COVER	VINYL GRIP
14	HANDLE WASHER	SS304
15	HANDLE NUT	SS304
16	STOP PIN	SS304
17	STOP PIN	SS304
18	WASHER	SS304

NOTE: Other materials available upon request.

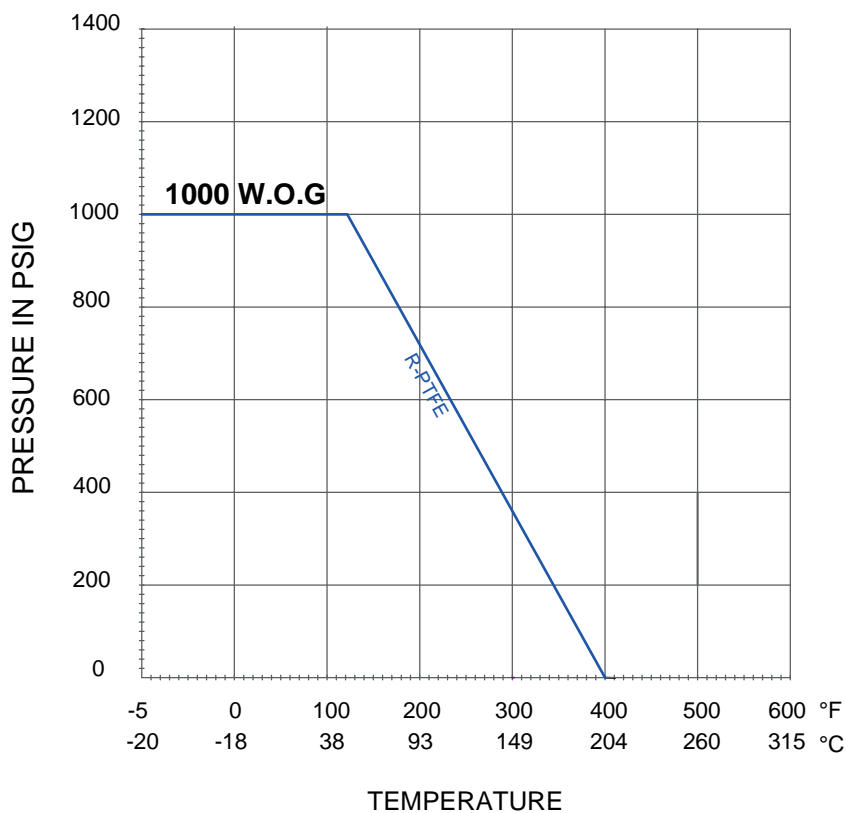


TURN PORT	TURN			
	0°	90°	180°	270°
T				
L				

Dimensions (inches)

NPS (in)	A (in)	L (in)	L2 (in)	E (in)	H (in)	H1 (in)	C (in)	ØK (in)	Z-4	CV (USgal/min)		TORQUE (Lbf*in)	WEIGHT (lbs)
										Port L	Port T		
1/4"	0.433	2.732	1.362	5.252	2.390	0.382	0.354	1.654	M5XP0.8	5.000	7.000	39.823	1.543
3/8"	0.433	2.732	1.362	5.252	2.390	0.382	0.354	1.654	M5XP0.8	5.000	7.000	39.823	1.257
1/2"	0.492	2.980	2.980	5.252	2.524	0.382	0.354	1.654	M5XP0.8	5.000	10.000	39.823	1.445
3/4"	0.630	3.409	3.409	7.028	3.244	0.547	0.433	1.969	M6XP1.0	10.000	27.000	61.947	2.271
1"	0.787	4.031	4.031	7.028	3.390	0.787	0.433	1.969	M6XP1.0	24.000	48.000	176.991	3.748
1 1/4"	0.984	4.654	4.654	8.264	3.598	0.921	0.433	1.969	M6XP1.0	36.000	70.000	265.487	5.534
1 1/2"	1.260	4.953	4.953	8.189	4.043	1.016	0.433	2.756	M8XP1.25	55.000	98.000	371.681	7.871
2"	1.496	5.866	5.866	8.061	4.358	0.996	0.551	2.756	M8XP1.25	80.000	198.000	575.221	12.632
2 1/2"	1.969	6.697	6.697	9.051	4.559	0.996	0.551	2.756	M8XP1.25	137.000	250.000	707.965	16.579
3"	2.559	7.681	7.681	10.433	5.197	1.004	0.669	4.016	M10XP1.5	232.000	422.000	1,061.947	23.237
-	-	-	-	-	-	-	-	-	-	-	-	-	-

Pressure-Temperature Chart



How to Order

CLASS	VALVE BODY DESIGN (SERIES)	SPECIAL FEATURES	MATERIAL			ENDS	SIZE	OPERATION
			BODY	TRIM	SEAT			
1 1000# WOG	3WL Full Port 3 Ways Ball Valve Port "L"	NONE NONE O Oxigen Service	2 WCB	3 316 SS	P PTFE	T Threaded	0.25 1/4"	L Manual Lever Operator
			3 CF8M		R R-PTFE		0.38 3/8"	
	3WT Full Port 3 Ways Ball Valve Port "T"		C Carbon Filled PTFE	0.5 1/2"	C Manual Lever with Locking Device			
			0.75 3/4"					
	3WX Full Port 3 Ways Ball Valve Port "X"		01 1"	B Bare Shaft				
			01.25 1 1/4"					
			01.5 1 1/2"					
			02 2"		P Preumatic Actuator			
			02.5 2 1/2"					
	03 3"		E Electric Actuator					

Example:

3 Ways Full Port Ball Valve Port "L", Body & Trim 316SS, Seats: R-PTFE, Ends: Threaded, Size 2", 1000# WOG with Lever.

13WL33PT02L