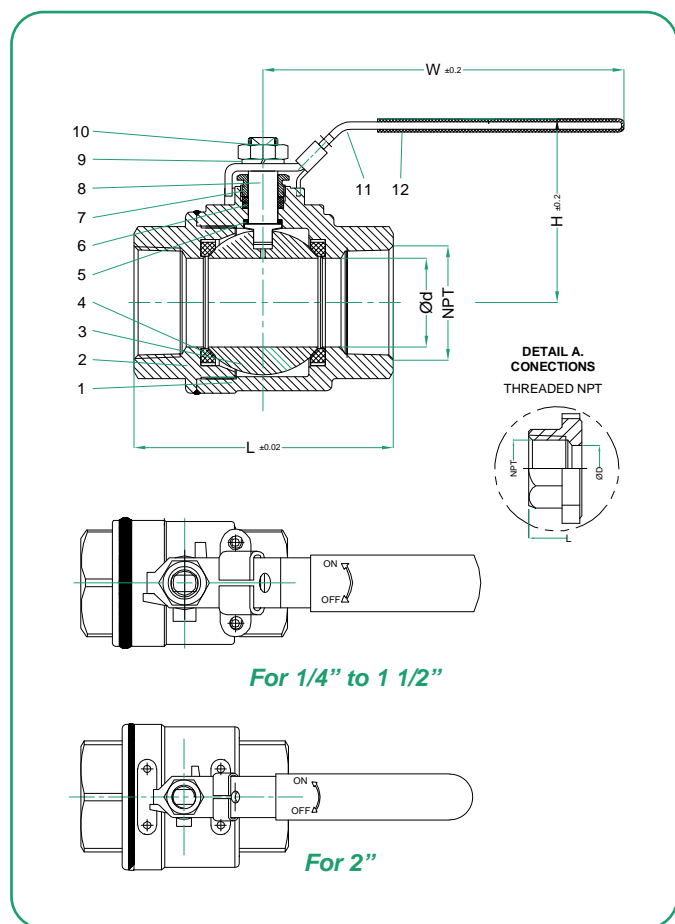


Features / Design



- 1.- Floating Bal Valve **Seal Welded Construction**. The ultimate valve for safe extreme pressure service.
- 2.- **Full port**, minimizes pressure drop adn prolong life.
- 3.- Available in Carbon Steel WCB body with 316SS trim or CF8M body with 316SS trim.
- 4.- **Pressure Rating: 2,000 WOG.**
- 5.- RPTFE seats as standard.
- 6.- End Connection: NPT ANSI B1.20.1 and socket weld ANSI B16.11 ends available.
- 7.- Fire Safe API 607 (upon request).
- 8.- NACE MR0175 (upon request).
- 9.- Hydrostatic Tests according API 598.
- 10.-Handle with locking device as standard.
- 11.- Manufactured in ISO 9001 approved facility.



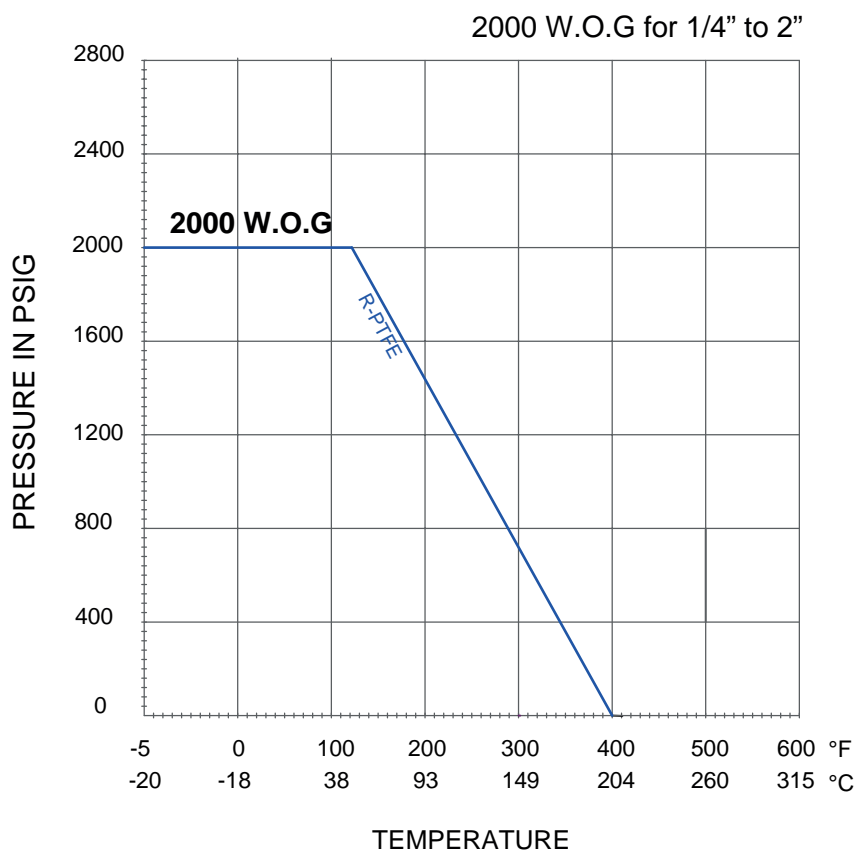
Material List

NO.	DESCRIPTION	MATERIAL
1	BODY	A216 WCB / A351 CF8M
2	CAP	A216 WCB / A351 CF8M
3	BALL	A182 F316
4	SEAT	50% SS + 50% PTFE
5	THRUST WASHER	PTFE
6	PACKING	GRAPHITE
7	GLAND	A276 SS304
8	STEM	A276 SS316
9	WASHER	STAINLESS STEEL
10	NUT	A2-70
11	HANDLE	STAINLESS STEEL
12	HANDLE SLEEVE	VYNIL

Dimensions (inches)

SIZE	d (in)	L (in)	H (in)	W (in)	NPT (in)	TORQUE (lb*in)	WEIGHT (lb)	CV (USgpm)
1/4"	0.425	2.362	2.126	4.134	1/4"	35.403	0.705	10
3/8"	0.492	2.362	2.126	4.134	3/8"	35.403	0.661	10
1/2"	0.591	2.953	2.520	4.606	1/2"	53.104	1.058	12
3/4"	0.787	3.150	2.559	5.512	3/4"	88.507	1.554	35
1"	0.984	3.543	2.953	6.299	1"	168.164	2.590	60
1 1/4"	1.260	4.331	3.110	6.299	1 1/4"	247.821	4.123	100
1 1/2"	1.496	4.724	3.819	7.677	1 1/2"	398.283	6.283	150
2"	1.890	5.512	4.134	7.677	2"	531.044	9.436	250

Pressure-Temperature Chart



How to Order

CLASS	VALVE BODY DESIGN (SERIES)	SPECIAL FEATURES	MATERIAL			ENDS	SIZE	OPERATION
			BODY	TRIM	SEAT			
2 2000# WOG	22 Seal Welded Ball Valve Desing 1 Piece	NONE NONE G Fire Safe API 607 + NACE	2 WCB	3 316 SS	P PTFE	T Threaded	0.25 1/4"	L Manual Lever Operator
			3 CF8M	5 304 SS	R R-PTFE	S Socket Weld	0.38 3/8"	C Manual Lever with Locking Device
			4 CF8	5 316L SS	C Carbon Filled PTFE	M 2 Different Ends to be Specified	0.5 1/2"	B Bare Shaft
			5 CF3M				0.75 3/4"	SR Spring Return Sliding Lock
							01 1"	O Oval Handle
						01.25 1 1/4"	P Pneumatic Actuator	
						01.5 1 1/2"	E Electric Actuator	
						02 2"		

Example:

Seal Welded Ball Valve, Body & Trim 316SS, Seats: R-PTFE, Ends: Threaded, 1/2" 2000# WOG with Lever and Locking Device.

22W33RT0.5C