

BALL VALVES

**DIRECT MOUNT 4 WAYS FULL PORT BALL
FLANGED ANSI CLASS 150 # & 300 #**

Series 4WLM, 4WTM & 4XM



FEATURES

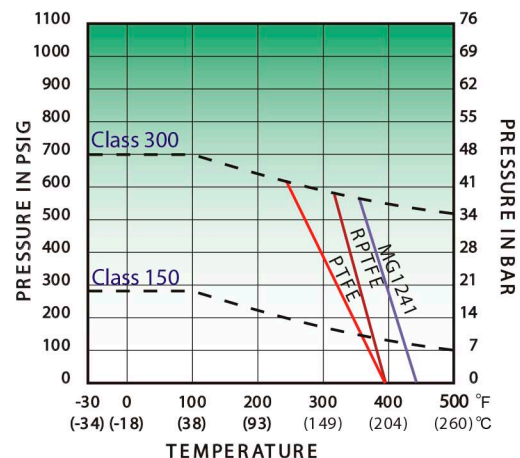
- ISO 5211 MOUNTING PAD. Allows mounting of actuators, no brackets and coupling needed. easy and low cost for automated service.
- COST EFFICIENT. One valve can replace two or more valves, reduces the number of valves in piping system.
- TRUNNION DESIGN
- LOCKING DEVICE
- PTFE WITH 15% GLASS FIBER SETS
- FOUR SEATS DESIGN
- FOUR INDEPENDENT FLANGED ENDS DESIGN
- "L", "T" & "X" PORT
- 5 WAYS AVAILABLE UPON REQUEST
- ADJUSTABLE STEM PACKING
- BLOW-OUT PROOF STEM
- INVESTMENT CAST BODY CONSTRUCTION
- LIVE LOADED STEM PACKING
- ANTI-STATIC DEVICE
- 6" & 8" AVAILABLE UPON REQUEST
- FLANGED ANSI CLASS 150# & 300#, THREADED
- MANUFACTURED IN ISO 9001 APPROVED FACILITY

MATERIAL LIST

NO.	PART NAME	MATERIAL	
1	Flange End Cap	WCB	CF8M
2	Body	WCB	CF8M
3	Ball & Stem	SS 304	SS 316
4	Housing	PTFE+STAINLESS	
5	Seats	PTFE/RPTFE	
6	Gasket	PTFE	
7	O-Ring	VITON	
8	Stem Packing	PTFE	
9	Gland Washer	SS 304	
10	Belleville Washer	SS 301	
11	Gland	SS 304	
12	Handle Head	A351 Gr. CF8	
13	Stop Pin	SS 304	
14	Bolt	SS 304	
15	Lever	CARBON STEEL	
16	STOP PIN NUT	SS 304	
17	Connection Bolts	B8	
18	End Cap Bolts	SS304	
19	Bolt Nuts	SS 304	
20	BONNET	WCB	CF8M
21	BONNET GASKET	PTFE	

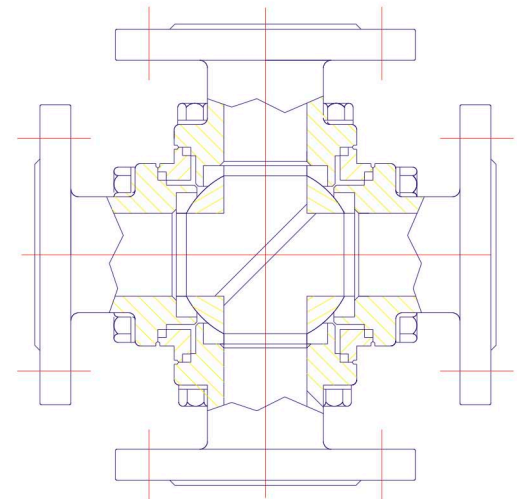
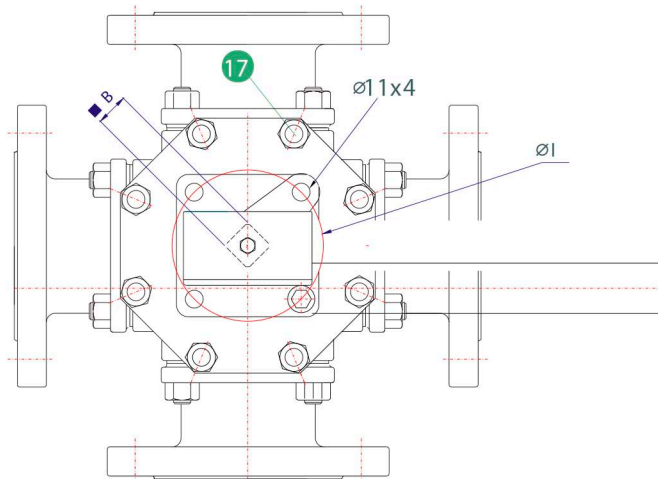


PRESSURE-TEMPERATURE CHART

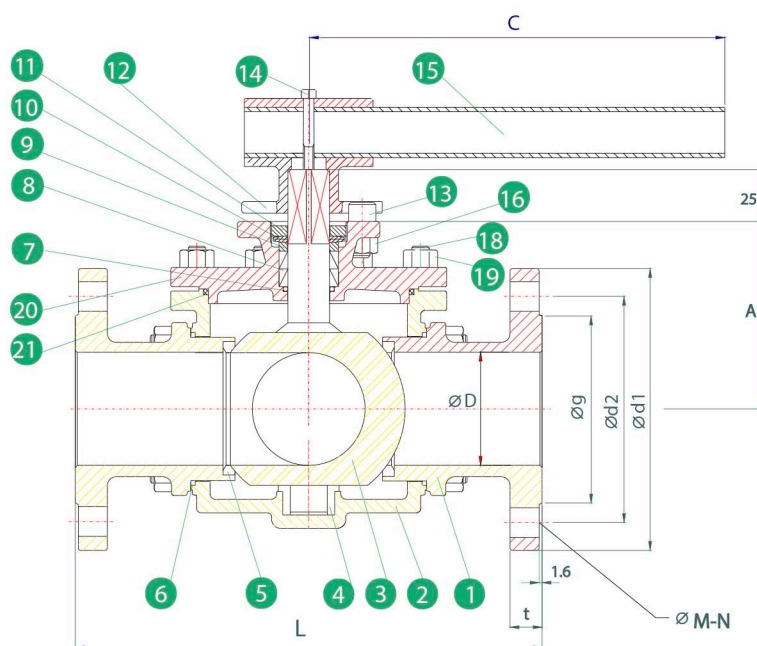


BALL VALVES

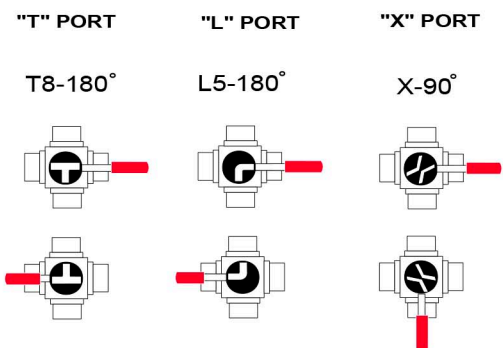
**DIRECT MOUNT 4 WAYS FULL PORT BALL
FLANGED ANSI CLASS 150 # & 300 #**



4 way ball valve
150 LBS/ 300 LBS



AVAILABLE PORT CONFIGURATION



DIMENSION (INCHES)

SIZE	A	C	ØD	L			Ød1				Ød2		Øg		t		ØM-N		WEIGHT (LBS)		TORQUE (IN-LBS)	ISO5211 (MM)		
				150#	300#	THR	150#	300#	150#	300#	150#	300#	150#	300#	150#	300#	150#	300#	FLANGE	B		Ø1		
1/2"	1.61	5.12	0.59	5.98	6.30	-	3.50	3.75	2.38	2.62	1.38	0.44	0.56	1/2-4	1/2-4	8.70	11.20	124	F03/F04	9	36 (42)			
3/4"	1.93	6.50	0.79	6.57	6.97	-	3.88	4.62	2.75	3.25	1.69	0.44	0.62	1/2-4	5/8-4	10.30	16.00	159	F04/F05	11	42 (50)			
1"	2.17	6.50	0.98	7.48	7.87	-	4.25	4.88	3.12	3.50	2.00	0.44	0.69	1/2-4	5/8-4	14.90	21.80	301	F04/F05	11	42 (50)			
1 1/4"	2.48	8.07	1.25	8.19	8.58	-	4.62	5.25	3.50	3.88	2.50	0.50	0.75	1/2-4	5/8-4	20.80	29.10	381	F05/F07	14	50 (70)			
1 1/2"	2.91	8.07	1.50	8.66	9.21	-	5.00	6.12	3.88	4.50	2.88	0.56	0.81	1/2-4	3/4-4	30.30	42.90	513	F05/F07	14	50 (70)			
2"	3.66	12.80	1.97	9.96	10.75	-	6.00	6.50	4.75	5.00	3.62	0.62	0.88	5/8-4	5/8-8	51.30	61.00	885	F07/F10	17	70 (102)			
2 1/2"	4.67	15.75	2.44	11.81	11.81	11.57	7.01	7.48	5.49	5.87	4.13	0.70	1.00	5/8-4	3/4-8	70.10	86.40	1239	F10	22	102			
3"	5.37	19.69	2.99	12.01	13.01	12.48	7.48	8.27	6.00	6.61	5.00	0.75	1.13	5/8-4	3/4-8	88.40	108.30	2213	F10	22	102			
4"	6.16	23.62	3.78	25.14	15.50	14.53	9.02	10.00	7.50	7.87	6.18	0.94	1.26	5/8-8	3/4-8	160.50	184.20	2830	F10	22	102			



BALL VALVES

DIRECT MOUNT 4 WAYS FULL PORT BALL FLANGED ANSI CLASS 150 # & 300

HOW TO ORDER

VALVE BODY DESIGN (SERIES)	FEATURES	MATERIAL			ENDS	CLASS	SIZE		OPERATION
		BODY	TRIM	SEAT					
4WLM Full Port 4 Ways Ball Valve Port "L" ISO 5211 MK	NONE NONE O Oxigen Service ⁽¹⁾	2 WCB	3 316SS	P PTFE	F Flanged RF	0 ANSI 150# 3 ANSI 300#	0.5 1/2"	L Manual lever Operator	
		3 CF8M		R R-PTFE			0.75 3/4"		
4WTM Full Port 4 Ways Ball Valve Port "T" ISO 5211 MK	F Fire Safe			U UHMWPE			01 1"	B Bare Shaft	
				S 50/50 SS Filled PTFE		01.25 1 1/4"			
4WXM Full Port 4 Ways Ball Valve Port "X" ISO 5211 MK				C Carbon Filled PTFE			01.5 1 1/2"	G Gear Operator S Spring Return safety Handle SR Spring Return Sliding Lock O Oval Handle E Economical Stem Extension P Peumatic Actuator E Electric Actuator	
				M MG1241		02 2"			
				D DELRIN		02.5 2 1/2"			
				K PEEK		03 3"			
						04 4"			

Example

4 Ways Full Port Ball Port "X" Valve, ISO 5211 MK, Body & Trim 316SS, Seats: PTFE, Ends: Flanged ANSI Class 150# Size 2" with Lever.

4WXM-33P-F002L

NOTES

(1) Available for stainless steel valves only

