



Features / Design

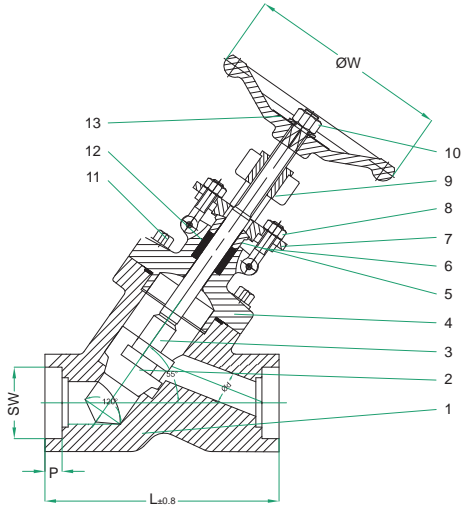
- 1.- Forged Steel, OS&Y Design.
- 2.- Sizes 1/2" to 2", Class 800# to 2500#.
- 3.- Basic design API 602 & ANSI B16.34.
- 4.- Threaded ends according to ANSI B1.20.1.
- 5.- Socket Weld ends according to ANSI B16.11.
- 6.- Butt Weld ends according to ANSI B16.25.
- 7.- Flanged ends ANSI B16.5 (welded).
- 8.- Face to face dimensions acc. to MFG.
- 9.- Inspection & Testing API 598.

Material List

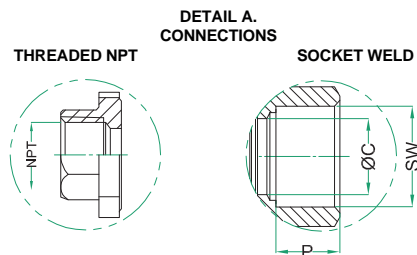
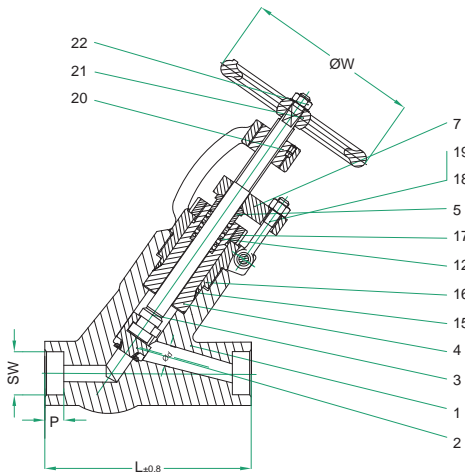
NO.	DESCRIPTION	MATERIAL	
		TRIM 8	TRIM 10
1	BODY	A105N + SS304	A182 F316
2	DISC	A182 F6a + STL	A182 F316
3	STEM	A182 F6a	A182 F316
4	BONNET	A105N	A182 F316
5	GLAND	A276 410	A276 316
6	GLAND EYEBOLT	A193 B7M	A193 BBM
7	GLAND FLANGE	A105N	A182 F316
8	GLAND NUT	A194 2HM	A194 8M
9	YOKE NUT	A276 410	A276 410
10	NUT	CARBON STEEL	CARBON STEEL
11	NAME PLATE	STAINLESS	STAINLESS
12	PACKING	FLEX. GRAPHITE	FLEX. GRAPHITE
13	HEX. BOLT	A193 B7M	A193 B8M
14	PRESSURE SEAT	A276 410	A276 316
15	GASKET	SS304	SS316
16	BONNET	A105N	A182 F316
17	NUT	CARBON STEEL	STAINLESS STEEL
18	EYEBOLT	A193 B7M	A193 B8M
19	NUT	A194 2HM	A194 8M
20	STEM NUT	A276 410	A276 410
21	HANDHEEL	A197	A197
22	NUT	CARBON STEEL	CARBON STEEL

NOTE: Material list as example, TRIM 8 and 10 acc. to NACE MR0175, other materials and trims available; please contact us.

For ASME 800# / 1500#



For ASME 2500#



Dimensions (inches)

ANSI CLASS 800#

SIZE	L (in)	SW (in)	P (in)	NPT (in)	Ød (in)	W (in)	Torque (Lb*in)	CV (USgpm)	Weight (Lb)
1/2"	3.858	0.866 ± 0.008	0.374	1/2"	0.413	3.740	336.283	2	4.850
3/4"	3.937	1.078 ± 0.008	0.492	3/4"	0.531	3.740	380.531	4	4.291
1"	4.724	1.342 ± 0.008	0.492	1"	0.669	4.528	486.726	6	9.039
1 1/4"	/	1.689 ± 0.008	0.492	1 1/4"	/	/	/	15	/
1 1/2"	5.512	1.929 ± 0.008	0.492	1 1/2"	1.063	5.709	752.212	23	17.637
2"	6.772	2.419 ± 0.010	0.630	2"	1.299	6.496	1061.947	23	30.865

ANSI CLASS 1500#

SIZE	L (in)	SW (in)	P (in)	NPT (in)	Ød (in)	W (in)	Torque (Lb*in)	CV (USgpm)	Weight (Lb)
1/2"	3.937	0.866 ± 0.008	0.374	1/2"	0.413	3.740	336.283	2	5.291
3/4"	4.724	1.078 ± 0.008	0.492	3/4"	0.531	3.740	380.531	4	9.039
1"	5.512	1.342 ± 0.008	0.492	1"	0.669	4.528	486.726	6	12.125
1 1/4"	/	1.689 ± 0.008	0.492	1 1/4"	/	/	/	15	/
1 1/2"	6.772	1.929 ± 0.008	0.492	1 1/2"	1.063	5.709	752.212	23	30.865
2"	8.661	2.419 ± 0.010	0.630	2"	1.299	6.496	1061.947	23	39.683

ANSI CLASS 2500#

SIZE	L (in)	SW (in)	P (in)	NPT (in)	Ød (in)	W (in)	Torque (Lb*in)	CV (USgpm)	Weight (Lb)
1/2"	5.906	0.866 ± 0.008	0.374	1/2"	0.394	6.496	796.460	2	19.842
3/4"	5.906	1.078 ± 0.008	0.492	3/4"	0.512	6.496	929.204	4	19.842
1"	5.906	1.342 ± 0.008	0.492	1"	0.669	6.496	1309.735	6	19.842
1 1/4"	9.055	1.689 ± 0.008	0.492	1 1/4"	0.906	11.811	2123.894	15	48.502
1 1/2"	9.055	1.929 ± 0.008	0.492	1 1/2"	1.063	12.598	2831.858	23	48.502
2"	10.630	2.419 ± 0.010	0.630	2"	1.299	12.598	3716.814	23	92.594

NOTE:

* Please consult with manufacturer (data for size 1/4" - Class 800# & 2500#).

How to Order

BODY DESIGN (SERIES)	BONNET DESIGN	DISC DESIGN	SPECIAL FEATURES	MATERIAL		ENDS	CLASS	SIZE		OPERATION					
				BODY	TRIM*										
62Y Globe Valve Y-Type OS& API 602	B Bolted Bonnet	C Conical Std Plug	None None	20	A105	01	Obsolete	F	Flanged FR ⁽¹⁾	0	ANSI 150#	0.25	1/4"	H	Handwheel
			N NACE	22	A350 LF2	02	Obsolete	R	Flanged RTJ ⁽¹⁾	3	ANSI 300#	0.38	3/8"	G	Gear Operator
	F Fire Safe		23	A350 LF3	03	310SS	T	Threaded	6	ANSI 600#	0.5	1/2"	E	Electric Actuator	
	O Oxigen Service		24	A182 F1	05	13CR / HF / HF	S	Socket Weld	8	API 800#	0.75	3/4"	P	Pneumatic Actuator	
	FE Fugitive Emmissions		25	A182 F11 CL2	06	13CR /13 CR / CuNi	B	ButtWeld	1	ANSI 1500#	01	1"			
	BS Bellows Seal		26	A182 F22 CL3	08	13CR / 13 CR / HF	M	2 difierent ends (to be specified)	2	ANSI 2500#	01.25	1 1/4"			
	CR Criogenic Service		27	A182 F5	09	Monel					01.5	1 1/2"			
	G Fire Safe / NACE		28	A182 F9	10	316SS									
			30	A182 F316	11	Monel / Monel/HF									
			31	A182 F316L	12	316SS / 316SS / HF									
			32	A182 F304	13	CN7M									
			33	A182 F304L	14	CN7M / CN7M/HF									
			40	Monel	15	A105 /HF / HF									
			41	182 F20	16	SS316+HF / SS316+HF / SS316+HF									
			42	Hastelloy	17	316L SS									
			43	A182 F321											
			44	A182 F347											

Example:

Y-Type Globe Valve OS&Y API 602, Bolted Bonnet, Std. Disc, Body A105, Trim 5,
Flanged RF ANSI Class 150#, Size 2" with Handwheel.

62YBC2005F002H

NOTES:

* HF = Hard Faced, usually Stellite 6; other upon request.

(1) Flanged valves are flange welded (non integral body), available from 150# to 600#.

