

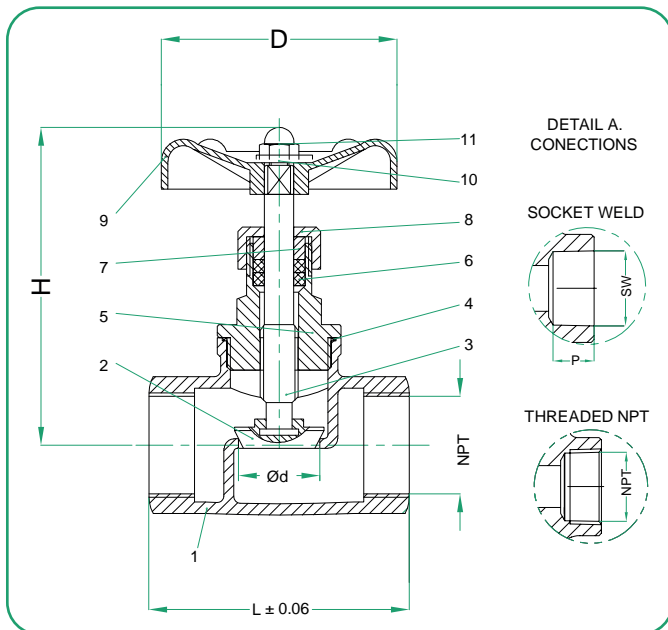


Features

- 1.- Investment cast components.
- 2.- Inside screw NON-RISING stem design.
- 3.- Screwed bonnet, solid wedge disc design.
- 4.- For food, general chemical & industrial application.

Design

- 5.- Codes & Standards: ASME B1.20.1 (NPT), ASME B16.11 (SW).
- 6.- End connections: Threaded / SW ends.
- 7.- Working pressure: 200 PSI / 16 Bar (CWP).
- 8.- Temperature range: -4 to 356 °F (-20 to 180°C).
- 9.- Pressure test according to API 598.



Material List

POS	DESCRIPTION	MATERIAL
1	BODY	ASTM A351CF8M
2	DISC	ASTM A351CF8M
3	STEM	AISI 316
4	SEAL RING	PTFE
5	BONNET	ASTM A351CF8M
6	PACKING	PTFE
7	GLAND	STAINLESS STEEL
8	NUT	STAINLESS STEEL
9	HANDWHEEL	ASTM A197
10	PAD	STAINLESS STEEL
11	NUT	STAINLESS STEEL

Dimensions (inches)

NPS	Ød (in)	H (in)	L (in)	D (in)	NPT (in)	SW (in)	P (in)	CV (USgal/min)	Torque (Lb*in)	Weight (Lb)
1/2"	0.591	3.543	2.323	2.520	1/2"	0.9 ± 0.008	0.374	3.3	*	0.72
3/4"	0.787	3.740	2.717	2.520	3/4"	1.1 ± 0.008	0.492	7.1	*	0.97
1"	0.984	4.134	3.110	2.874	1"	1.3 ± 0.008	0.492	12.3	*	1.37
1- 1/4"	1.260	4.921	3.504	2.992	1-1/4"	1.7 ± 0.008	0.492	20.6	*	2.06
1-1/2"	1.575	5.315	4.094	3.858	1-1/2"	1.9 ± 0.008	0.492	28.3	*	2.99
2"	1.969	5.709	4.685	3.858	2"	2.4 ± 0.008	0.629	47.0	*	4.29



How to Order

CLASS	VALVE BODY DESIGN (SERIES)	BODY	TRIM	SEAT	MATERIAL	
					ENDS	SIZE
NONE 200#WOG	6 Glose Non Rising Stem	3 CF8M	3 316SS	3 CF8M	T Threaded	0.25 1/4"
					S Socket Weld	0.38 3/4"
						0.5 1/2"
						0.75 3/4"
						1 1"
						1.25 1 1/4"
						01.5 1 1/2"
						02 2"

Example

Globe Valve, Body ASTM A 351 Gr CF8M & Disc 316SS ,Metal to Metal Seat, Threaded 200#WOG, Size 2".

6333T02