

Series 70PW (API 600) & 71PW (API 603)



FEATURES

- BOLTED BONNET
- END CONNECTIONS RF, RTJ, RING JOING, LARGE AND SMALL TONGUE AND GROOVE
- CAST & STAINLESS STEEL
- SIZES 2" - 24" CLASS 600 - 2500
- BASIC DESIGN ANSI 16.34
- FACE TO FACE DIMENSION ANSI B16.10
- FLANGE END DIMENSION ANSI B16.5
- BUTT - WELD END DIMENSION ANSI B16.25
- INSPECTION & TESTING API 598 / API6D

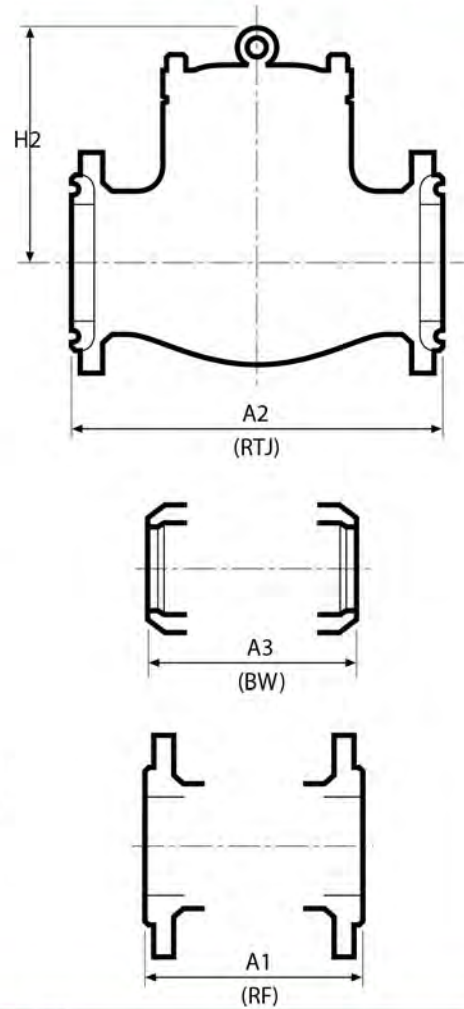
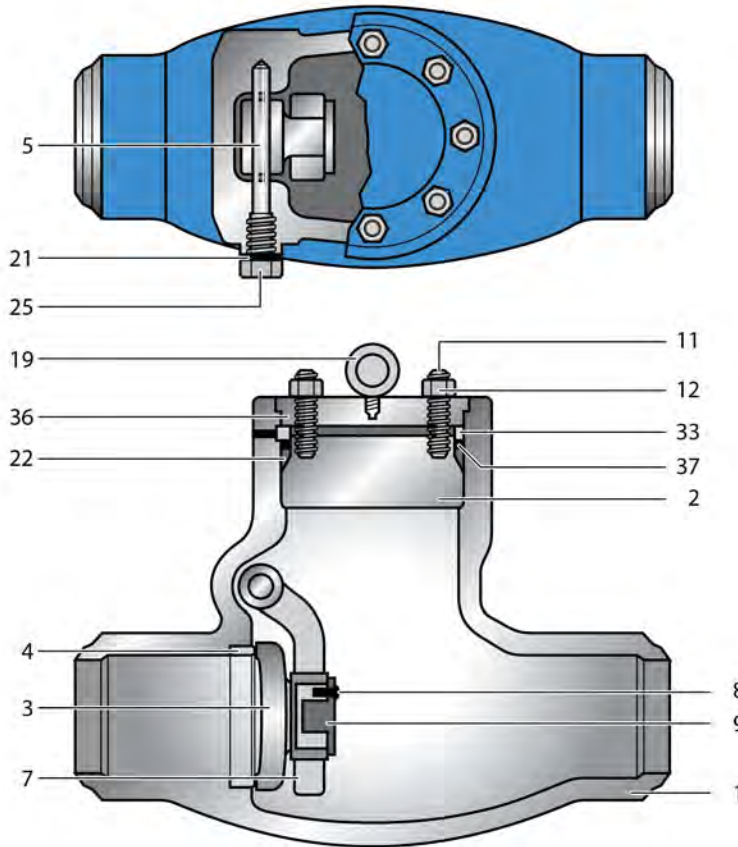
TRIM MATERIAL

Trim No.	Seat ring surface	Disc seat surface	Hinge Pin
1	F6 (13% CR)	F6 (13% CR)	F6 (13% CR)
2	F304	F304	F304
5	Stellite 6	Stellite 6	F6 (13% CR)
6	Cu-Ni	F6 (13% CR)	F6 (13% CR)
8	Stellite 6	F6 (13% CR)	F6 (13% CR)
9	Monel	Monel	Monel
10	F316	F316	F316
13	Alloy 20	Alloy 20	Alloy 20



CAST & STAINLESS STEEL PRESSURE SEAL CHECK VALVES CLASS 600 - 2500

2" - 24"



BILL OF MATERIAL

NO	NAME OF PART	ASTM SPECIFICATION						
		CARBON STEEL	HIGH TEMPERATURE SERVICE			LOW TEMPERATURE SERVICE	STAINLESS STEEL	
1	BODY	A216-WCB	A217-WC6	A217-WC9	A217-C5	A352-LCB/LC2/LC3	CF8M	CF8C
2	COVER	A216-WCB	A217-WC6	A217-WC9	A217-C5	A352-LC B/LC2/LC3	CF8M	CF8C
3	DISC	A217-CA15	A217-WC6	A217-WC9	A217-C5	A352-LCB/LC2/LC3	CF8M	CF8C
4	BODY SEAT RING	A105 + HARD FACE	A182-F11	A182-F22	A182-F5Q	A182-F304	F316	F347
5	HINGE PIN	A276-410	A276-410	A276-410	A276-410	A276-304	F316	F347
7	ARM	A216-WCB	A217-WC6	A217-WC9	A217-C5	A352-LC1/LC2/LC3	CF8M	CF8C
8	SET BOLT	AISI 304					A193-B8	A193-B8
9	DISC COVER	AISI 304					CF8M	CF8C
11	BONNET BOLT	A193-B7	A193-B16	A193-B16	A193-B16	A320-L7	A193-B8	A193-B8
12	BONNET NUT	A194-2H	A194-4	A194-4	A194-4	A194-4	A194-8	A194-8
19	EYE BOLT	A105					SS	SS
21	PLUG GASKET	COMMERCIAL						
22	GASKET	COMMERCIAL						
25	PLUG	A194-2H	A194-2H	A194-2H	A194-2H	A194-4	F316	F316
33	RETAINER	A276-410	A276-410	A276-410	A276-410	A276-304	F316	F347
36	BONNET CLAMP	A216-WCB	A217-WC6	A217-WC9	A217-C5	A352-LCB/LC2/LC3	CF8M	CF8C
37	GASKET SPACER	A276-410	A276-410	A276-410	A276-410	A276-304	F316	F347

OTHER MATERIAL AVAILABLE UPON REQUEST INCLUDING NACE MR0175
HARD FACE STANDARD STELLITE 6 (OTHER OPTIONS AVAILABLE UPON REQUEST)



CLASS 600 - CAST & STAINLESS STEEL PRESSURE SEAL CHECK VALVES

DIMENSIONS & WEIGHTS

VALVE SIZE	in	2	2.5	3	4	6	8	10	12	14	16	18	20	24
A1 (RF)	in	7.0	8.5	10.0	12.0	18.0	23.0	28.0	32.0	35.0	39.0	43.0	47.0	55.0
A2 (RTJ)	in	11.5	13.0	14.0	17.0	22.0	26.0	31.0	33.0	35.0	39.0	43.0	47.0	55.0
A3 (BW)	in	11.62	13.12	14.12	17.12	22.12	26.12	31.12	33.12	35.12	39.12	43.12	47.25	55.38
H2	in	9.5	10.4	10.6	12.5	15.7	23.1	23.9	27.4	29.5	28.7	28.7	32.2	37.4
WGT (RF)	lb	59.5	77.2	99.2	187.4	419.0	771.8	1102.5	1477.4	1940.4	2535.8	3263.4	4145.4	5733.0
WGT (BW)	lb	39.7	55.1	70.6	121.3	286.7	573.3	815.9	1080.5	1455.3	1874.3	2425.5	3285.5	4498.2

CLASS 900 - CAST & STAINLESS STEEL PRESSURE SEAL CHECK VALVES

DIMENSIONS & WEIGHTS

VALVE SIZE	in	2	2.5	3	4	6	8	10	12	14	16	18	20	24
A1 (RF)	in	8.5	10.0	12.0	14.0	20.0	26.0	31.0	36.0	39.0	43.0	46.5	50.5	59.5
A2 (RTJ)	in	14.5	16.5	15.0	18.0	24.0	29.0	33.0	38.0	40.5	44.5	48.0	52.0	61.0
A3 (BW)	in	14.62	16.62	15.12	18.12	24.12	29.12	33.12	38.12	40.88	44.88	48.5	52.5	61.75
H2	in	9.5	10.4	10.6	12.5	15.7	23.1	23.9	27.4	29.5	28.7	33.5	33.3	37.8
WGT (RF)	lb	88.2	121.3	114.7	231.5	507.2	1256.9	1874.3	2866.5	3417.8	3638.3	5071.5	6615.0	9040.5
WGT (BW)	lb	44.1	70.6	66.2	143.3	352.8	970.2	1521.5	2249.1	2690.1	2976.8	4079.3	5292.0	6394.5



CLASS 1500 - CAST & STAINLESS STEEL PRESSURE SEAL CHECK VALVES

DIMENSIONS & WEIGHTS

VALVE SIZE	in	2	2.5	3	4	6	8	10	12	14	16	18	20	24
A1 (RF)	in	8.5	10.0	12.0	16.0	22.0	28.0	34.0	39.0	42.0	47.0	53.0	58.0	64.0
A2 (RTJ)	in	14.5	16.5	18.5	21.5	27.75	32.75	39.0	44.5	49.5	54.5	60.5	65.5	76.5
A3 (BW)	in	14.62	16.62	18.62	21.62	28.0	33.13	39.38	45.12	50.25	55.38	61.38	66.38	77.62
H2	in	9.5	10.4	10.6	12.5	15.7	18.9	23.3	25.4	28.0	29.5	34.6	37.4	43.3
WGT (RF)	lb	88.2	121.3	220.5	308.7	882.0	1345.1	2315.3	3417.8	4630.5	5733.0	7276.5	9261.0	13230.0
WGT (BW)	lb	44.1	70.6	88.2	154.4	617.4	1058.4	1631.7	2425.5	3109.1	3528.0	4630.5	3733.0	7717.5

CLASS 2500 - CAST & STAINLESS STEEL PRESSURE SEAL CHECK VALVES

DIMENSIONS & WEIGHTS

VALVE SIZE	in	2	2.5	3	4	6	8	10	12	14	16	18
A1 (RF)	in	11.0	13.0	14.5	18.0	24.0	30.0	36.0	41.0	44.0	49.0	55.0
A2 (RTJ)	in	17.75	20.0	22.75	26.5	36.0	40.25	50.0	56.0	62.0	68.0	-
A3 (BW)	in	17.87	20.25	23.0	26.88	36.5	40.87	50.88	56.88	-	-	-
H2	in	9.6	10.4	10.6	12.5	15.7	22.0	24.8	27.5	33.9	35.4	39.4
WGT (RF)	lb	187.4	260.2	341.8	628.4	1653.8	2976.8	4740.8	6615.0	9216.9	11157.3	16493.4
WGT (BW)	lb	110.3	154.4	187.4	363.8	1014.3	1984.5	2866.5	3969.0	5402.3	7056.0	8930.3



HOW TO ORDER

VALVE TYPE (SERIES)				FEATURES		MATERIAL		ENDS	CLASS	SIZE ⁽⁴⁾
Body Design	Bonnet	Disc Design			BODY	TRIM (Hinge pin/Disc seat/Seat Ring)				
70 Check Valve API 600	P Pressure Seal	W Swing Check	NONE NONE 6D API 6D N NACE ND NACE/API 6D F Fire Safe O Oxygen Service SH Hydraulic NonSlam SD Dead Weight NonSlam		20 A216 WCB 21 A216 WCC 22 A350 LCB ⁽¹⁾ 23 A352 LC3 ⁽¹⁾ 24 A217 WC1 25 A217 WC6 ⁽²⁾ 26 A217 WC9 ⁽²⁾ 27 A217 C5 ⁽²⁾ 28 A217 C12 ⁽¹⁾ 30 A351 CF8M ⁽³⁾ 31 A351 CF3M ⁽³⁾ 32 A351 CF8 ⁽³⁾ 33 A351 CF3 ⁽³⁾ 40 Monel 41 Alloy 20 42 Hastelloy 43 A182 Gr321 44 A182 Gr347 45 Duplex 46 Triballoy 900 47 Incolloy 800 48 Incolloy 825	01 13CR 02 304SS 05 13CR / HF / HF 06 13CR / 13CR / CuNi 08 13CR / 13CR / HF 09 Monel 10 316SS 11 AB C61300 12 316SS / 316SS / HF 13 CN7M 14 CN7M / CN7M / HF 15 AB C95500 16 316 + HF / 316 + HF / 316 + HF 17 316L SS 18 Monel / Monel / HF	F Flanged RF R Flanged RTJ B Butt Weld	0 ANSI 150# 3 ANSI 300# 6 ANSI 600# 9 ANSI 900# 1 ANSI 1500# 2 ANSI 2500#	02 2" 02.5 2 1/2" 03 3" 04 4" 05 5" 06 6" 08 8" 10 10" 12 12" 14 14" 16 16" 18 18" 20 20" 24 24"	

Example
Swing Check Valve API 603, Pressure Seal, Body WCB Trim 5, Flanged ANSI Class 150# Size 6".
71PW-2005-F006

(1) Low temperature Service
(2) High temperature Service
(3) Stainless Steel
(4) Available Sizes: ANSI Class 150 & 300# - from 2" to 36"
600, 900# - from 2" to 30", 1500# - from 2" to 24"
2500# - from 2" to 16"

General Notes:
*API 603 Light Wall (ANSI/ASME B16.34)
**API 600 Heavy Wall
***HF = Usually Stellite 6, others available under request

