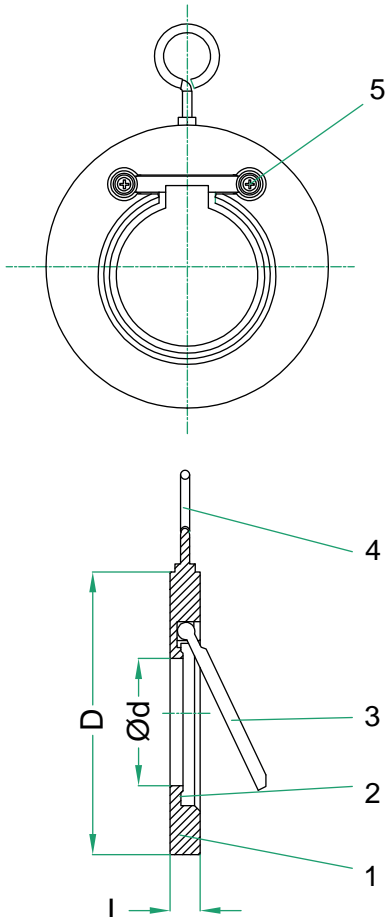




## Features / Design

- 1.- Highest degree of tightness.
- 2.- Low pressure drop.
- 3.- Free of maintenance.
- 4.- Low friction.
- 5.- Seat: NBR / EPDM / VITON / METAL.
- 6.- ASME B16.34, API 6D, API 598, ANSI B16.5.
- 7.- Design according to API 6D.
- 8.- Face to face according to API 6D.
- 9.- End connection according to ANSI B16.5.
- 10.- Pressure-Temperature rating acc. to ASME B16.34.
- 11.- Inspection and Testing according to API 6D.



## Material List

NO.	PART NAME	MATERIAL
1	BODY	WCB / CF8M
2	SEAT	WCB / CF8M
3	DISC	CF8M
4	EYE BOLT	A193 B7 / A193 8
5	SCREW	A193 B7 / A193 8

## Dimensions (inches)

SIZE	L (in)	D (in)	Ød (in)	WEIGHT (lbs)
1 1/2"	0.531	3.583	0.898	*
2"	0.551	4.075	0.976	33.07
2 1/2"	0.654	4.823	1.437	39.68
3"	0.669	5.512	1.831	50.71
4"	0.669	6.299	2.835	70.55
5"	0.720	7.138	3.701	97.00
6"	0.764	8.606	4.508	116.85
8"	0.921	10.551	5.539	216.05
10"	1.102	12.961	7.429	*

NOTES:  
\* Please consult with manufacturer.



## How to Order

VALVE TYPE		FEATURES	MATERIAL			ENDS	CLASS <sup>(3)</sup>	SIZE
BODY DESIGN (SERIES)	BONNET DESIGN		BODY	TRIM (Hinge / Disc / Seat Ring)	SOFT SEAT <sup>(2)</sup>			
<b>74</b> Wafer Check Valve	<b>S</b> Single Disc	<b>NONE</b> None	<b>20</b> A216 WCB	<b>10</b> CF8M / CF8M / CF8M	<b>NONE</b> Metal To Metal	<b>W</b> Wafer <sup>(4)</sup>	<b>0</b> ANSI 150#	<b>01.5</b> 1 1/2"
		<b>6D</b> API 6D	<b>30</b> A351 CF8M <sup>(1)</sup>					<b>2</b> 2"
		<b>N</b> NACE	<b>31</b> A351 CF3M <sup>(1)</sup>		<b>E</b> EPDM			<b>2.5</b> 2 1/2"
		<b>ND</b> NACE / API 6D			<b>B</b> NBR			<b>3</b> 3"
		<b>F</b> Fire Safe			<b>V</b> Viton			<b>4</b> 4"
		<b>G</b> NACE / Fire Safe			<b>N</b> Neoprene			<b>5</b> 5"
					<b>6</b> 6"		<b>8</b> 8"	
					<b>10</b> 10"			

### Example:

Single Disc Check Valve, Body ASTM A351 Gr. CF8M, Disc 316SS, Seat EPDM, Wafer ANSI Class 150#, Size 10".

**74S3010EW010**

(1) Stainless Steel.

(2) Available for Dual Disc & Wafer (Short Pattern) valves only.

(3) Please contact us for available higher classes.

(4) Wafer Short Pattern as standard.

