



Features / Design

- 1.- The filter is an indispensable device in pipe system that transports media. Its function is to filter mechanical impurities in media to protect fittings on equipment and pipe from being abraded and blocked.
- 2.- Their internal parts are made all made of stainless steel, so they are firm and durable.
- 3.- The filter is featured by small volume, fine mesh, small resistance, high efficiency, convenient installation and maintenance, low cost, so as to meet various demands in pipes.
- 4.- Design & Manufacture Standard: ASME B16.34.
- 5.- Pressure and temp. rating acc. to ASME B16.34.
- 7.- Ends: Flanged RF - ASME B16.5.
- 8.- Face to face dimensions according to MFG.
- 9.- Inspection and Test Standard: API 598.

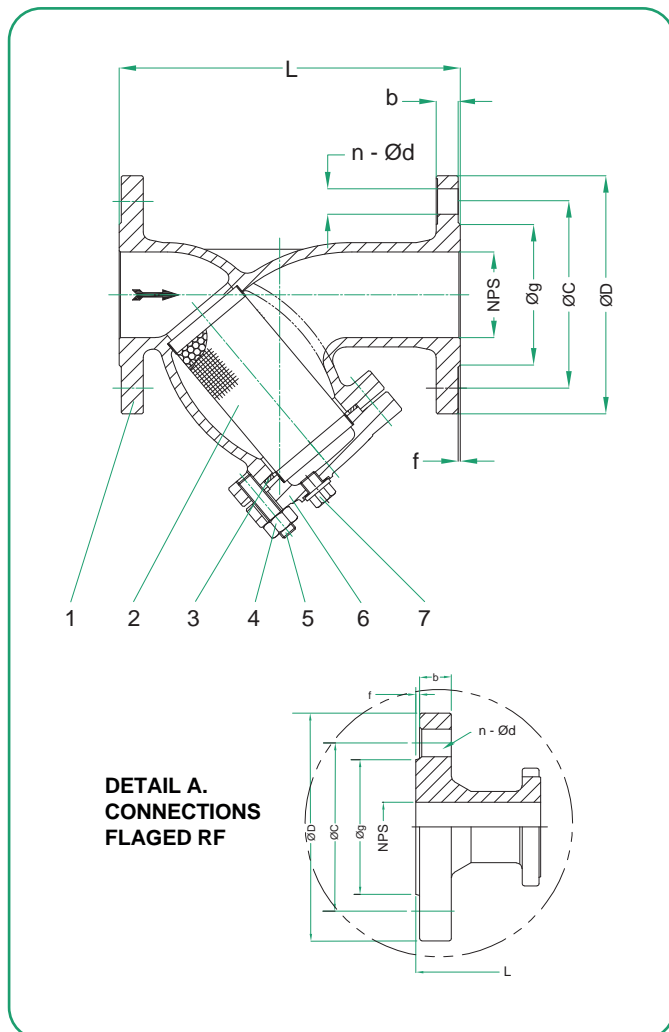
Material List

NO.	DESCRIPTION	MATERIAL
1	BODY	A216 WCB / 351 CF8M
2	SCREEN	SS316
3	GASKET	PTFE
4	BOLT	A193 B7 / A193 B8
5	NUT	A194 2H / A194 B
6	COVER	A216 WCB / 351 CF8M
7	PIPE PLUG	SS316

NOTE: Material list as example, other materials available. Please contact us.

Dimensions (inches) - ANSI 150#

SIZE	$\varnothing g$ (in)	$\varnothing C$ (in)	$\varnothing D$ (in)	b (in)	n (in)	$\varnothing d$ (in)	L (in)	f (in)	Weight (in)
1"	2.008	3.126	4.331	0.378	4	0.630	6.299	0.079	6.614
1 1/2"	2.874	3.874	4.921	0.500	4	0.630	7.874	0.079	13.228
2"	3.622	4.752	5.906	0.563	4	0.748	8.465	0.079	16.535
2 1/2"	4.134	5.500	7.087	0.626	4	0.748	9.449	0.079	24.251
3"	5.000	6.000	7.480	0.689	4	0.748	10.443	0.079	33.069
4"	6.181	7.500	9.055	0.878	8	0.748	12.205	0.079	50.706
6"	8.504	9.500	11.024	0.941	8	0.866	15.984	0.079	70.548
8"	10.630	11.752	13.583	1.063	8	0.866	19.488	0.079	132.277
10"	12.756	14.252	15.945	1.126	12	0.984	21.457	0.079	209.439
12"	15.000	17.000	19.094	1.189	12	0.984	24.016	0.079	279.987
14"	16.260	18.752	21.063	1.315	12	1.142	27.165	0.079	308.647
16"	18.504	21.252	23.425	1.378	16	1.142	30.512	0.079	440.925
18"	20.984	22.752	25.000	1.500	16	1.260	32.874	0.079	749.572



How to Order

DESIGN (SERIES)	MESH ⁽¹⁾	MATERIAL			ENDS ⁽²⁾	CLASS ⁽³⁾	SIZE ⁽⁴⁾		OPERATION		
		BODY	TRIM	GASKET							
80Y "Y" Type Strainer	A MESH 20 52% Open Area, 0.14 wire diam.	2 WCB	3 316 SS	P PTFE	F Flanged RF	0 ANSI 150#	01	1"	NONE		
		3 CF8M	4 304 SS	G Graphite		3 ANSI 300#	01.5	1 1/2"			
		4 CF8				6 ANSI 600#	02	2"			
	B MESH 30 41% Open Area, 0.12 wire diam.							02.5		2 1/2"	
		C MESH 40 36% Open Area, 0.010 wire diam.						03		3"	
			D MESH 60 30.5% Open Area, 0.0075 wire diam.							04	4"
										06	6"
	E MESH 80 31.4% Open Area, 0.0055 wire diam.							08		8"	
		F MESH 100 30.3% Open Area, 0.0045 wire diam.								10	10"
								12		12"	
								14		14"	
								16		16"	
						18	18"				

Example:

"Y" Type Strainer, Body WCB, Screen 304 SS, MESH 20, PTFE Gasket, Flanged ANSI 150#, Size 6".

80YA24PF006

NOTES:

- (1) Please contact us for more available MESH & perforations.
- (2) Ends available in threaded NPT & socketweld SW, please contact us.
- (3) Please contact us for more available ratings.
- (4) Please contact us for more available sizes.

