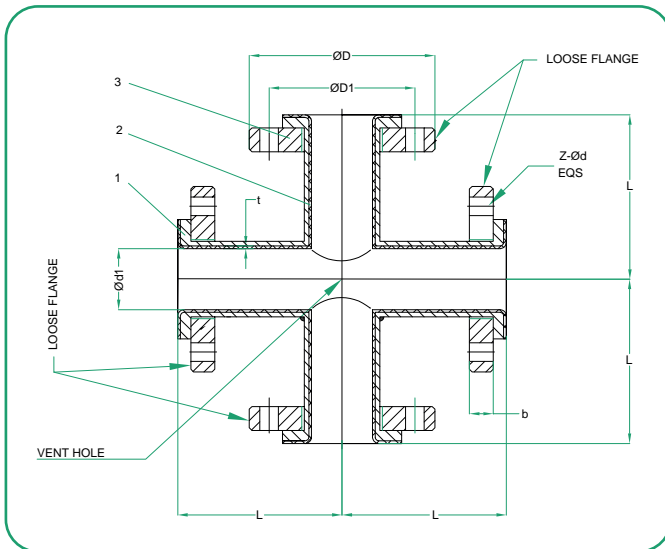




## Features / Design

### Lined Fittings - Series CUEL / Cross

- Design & Manufacture Standard: ASTM F1545, HG/T 2437.
- Flange Standard: ANSI B 16.5, HG/T 20592.
- Face to Face Dimension: ASME B16.10.
- Lining Thickness: 3 to 5 mm.
- Inspection and Test Standard: ASTM F1545.
- Liner Inspection: Spark test 10-20 Kv.
- Flange Material: A105, SS304, SS316... and others.
- Lining Material: PTFE, PFA, FEP... and others.



## Material List

NO.	PART NAME	MATERIAL
1	BODY	ASTM A 106 Gr. B
2	LINER	PTFE
3	FLANGE	ASTM A105

NOTE: Material list as example, other materials and liners available.

## Dimensions

NPS (in)	L (in)	ØD (in)	ØD1 (in)	Z	Ød (in)	t (in)	b (in)	Ød1 (in)	Weight (lbs)
1"	3.504	4.331	3.126	4	0.630	0.157	0.433	0.945	12.60
1 1/2"	4.016	4.921	3.874	4	0.630	0.157	0.500	1.496	22.90
2"	4.488	5.906	4.752	4	0.748	0.197	0.563	1.890	24.90
3"	5.512	7.480	6.000	4	0.748	0.236	0.689	2.835	55.10
4"	6.496	9.055	7.500	8	0.748	0.236	0.878	3.543	61.70
6"	7.992	11.024	9.500	8	0.866	0.276	0.941	5.512	116.80
8"	9.016	13.583	11.744	8	0.866	0.315	1.063	7.480	179.70



## How to Order

SERIES NUMBER	MATERIAL					ENDS	CLASS	SIZE		OPERATION			
	BODY	DISC	BODY & TRIM LINER	SEAT									
CUEL	2	A105 / WCB	NONE	P	PTFE	NONE	F	Flanged RF	0	ANSI 150#	01	1"	NONE
	4	A312 TP 304		V	PVDF						01.5	1 1/2"	
	6	DI / CI		L	PPL						02	2"	
				W	HDPE						03	3"	
				A	PFA						04	4"	
				F	FEP						06	6"	
											08	8"	

**Example:**

Lined Cross, Body WCB + PFA Liner, Flanged RF ANSI Class 150# Size 6".

**CUEL2AF006**