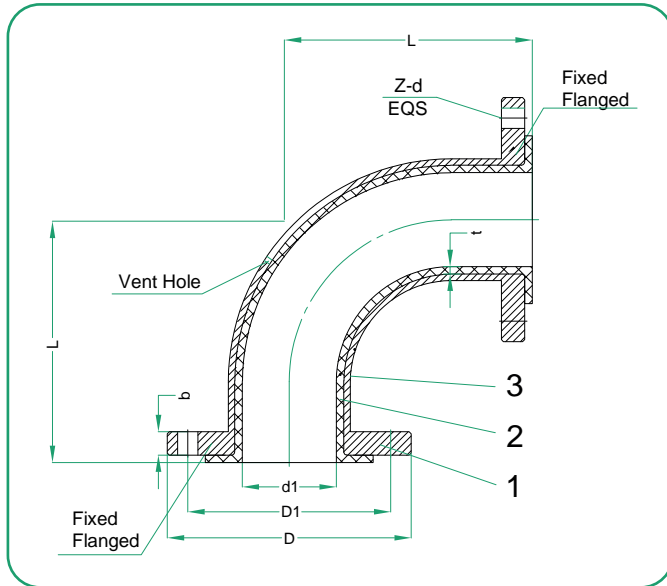




Features / Design

Lined Fittings - Series E90 / 90° Elbow

- Design & Manufacture Standard: ASTM F1545, HG/T 2437.
- Flange Standard: ANSI B 16.5, HG/T 20592.
- Face to Face Dimension: ASME B16.5, HG /T 2437.
- Lining Thickness: 3 to 5 mm.
- Inspection and Test Standard: ASTM F1545.
- Liner Inspection: Spark test 10-20 Kv.
- Flange Material: A105, SS304, SS316... and others.
- Lining Material: PTFE, PFA, FEP... and others.



Material List

NO.	PART NAME	MATERIAL
1	BODY	ASTM A 106 Gr. B
2	LINER	PTFE
3	FLANGE	ASTM A105

NOTE: Material list as example, other materials and liners available.

Dimensions (inches)

NPS (in)	L (in)	D (in)	D1 (in)	Z	d (in)	t (in)	b (in)	d1 (in)	Weight (lbs)
1"	3.504	4.331	3.126	4	0.630	0.157	0.433	0.945	4.630
1 1/2"	4.016	4.921	3.874	4	0.630	0.157	0.500	1.496	7.165
2"	4.488	5.906	4.752	4	0.748	0.197	0.563	1.890	11.795
3"	5.512	7.480	6.000	4	0.748	0.236	0.689	2.835	16.094
4"	6.496	9.055	7.500	8	0.748	0.236	0.878	3.543	20.062
6"	7.992	11.024	9.500	8	0.866	0.276	0.941	5.512	40.786
8"	9.016	13.583	11.744	8	0.866	0.315	1.063	7.480	58.202
10"	10.984	15.945	14.252	12	0.984	0.433	1.126	9.370	79.807

NOTE: Lining thickness, weight and pitch diameter may vary if accessory is for vacuum use.



How to Order

SERIES NUMBER			MATERIAL			ENDS	CLASS	SIZE		OPERATION		
	BODY	DISC	BODY & TRIM LINER	SEAT								
E90	2	WCB	NONE	P	PTFE	NONE	F Flanged RF	0	ANSI 150#	01	1"	NONE
	3	CF8M		F	FEP			01.5	1 1/2"			
	4	CF8		F	PFA			02	2"			
	6	DI / CI		E	ETFE			03	3"			
				K	KYNAR			04	4"			
								06	6"			
								08	8"			
					10	10"						

Example:

Lined 90° Elbow, Body WCB+ PFA Liner, Flanged RF ANSI Class 150# Size 6".

E90L2AF006