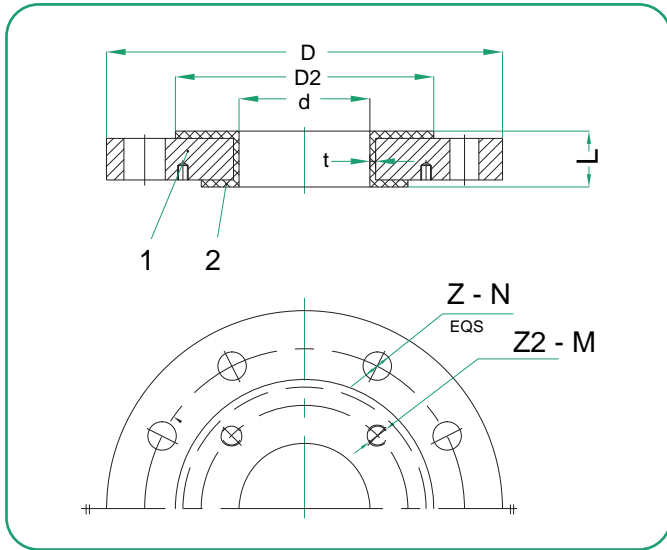




Features / Design

Lined Fittings - Series FCL / Reducing Flange

- Design & Manufacture Standard: F1545, HG/T 2437.
- Flange Standard: ANSI B 16.5.
- Dimensions: ASME B16.5.
- Lining Thickness: 3 to 5 mm.
- Inspection and Test Standard: F1545, HG/T 2437.
- Liner Inspection: Spark test 15 Kv.
- Flange Material: A105, SS304, SS316... and others.
- Lining Material: PTFE, PFA, FEP... and others.



Material List

NO.	PART NAME	MATERIAL
1	BODY	ASTM A 105
2	LINER	PTFE

NOTE: Material list as example, other materials and liners available.

Dimensions (inches)

SIZE	L (in)	D (in)	D1 (in)	D2 (in)	Z (in)	N (in)	d1 (in)	d2 (in)	Z2 (in)	M (in)	t (in)	d (in)	WEIGHT (lb)
1" x 1/2"	1.772	4.331	3.126	2.008	4	0.630	2.374	1.378	4	M14	0.197	0.591	4.409
1 1/2" x 1"	1.772	4.921	3.874	2.874	4	0.630	3.126	2.008	4	M14	0.197	0.984	6.614
2" x 1"	1.772	5.906	4.752	3.622	4	0.748	3.126	2.008	4	M14	0.197	0.984	8.818
2" x 1 1/2"	1.772	5.906	4.752	3.622	4	0.748	3.874	2.874	4	M14	0.197	1.575	9.921
3" x 1"	1.772	7.480	6.000	5.000	4	0.748	3.126	2.008	4	M14	0.236	0.984	13.228
3" x 1 1/2"	1.772	7.480	6.000	5.000	4	0.748	3.874	2.874	4	M14	0.236	1.575	13.889
3" x 2"	1.772	7.480	6.000	5.000	4	0.748	4.752	3.622	4	M16	0.236	1.969	14.330
4" x 1"	1.890	9.055	7.500	6.181	8	0.748	3.126	2.008	4	M14	0.236	0.984	17.637
4" x 1 1/2"	1.890	9.055	7.500	6.181	8	0.748	3.874	2.874	4	M14	0.236	1.575	18.078
4" x 2"	1.772	9.055	7.500	6.181	8	0.748	4.752	3.622	4	M16	0.236	1.969	18.739
4" x 3"	1.772	11.024	7.500	6.181	8	0.748	6.000	5.000	4	M16	0.236	3.150	19.842



Dimensions - Cont. (inches)

SIZE	L (in)	D (in)	D1 (in)	D2 (in)	Z (in)	N (in)	d1 (in)	d2 (in)	Z2 (in)	M (in)	t (in)	d (in)	WEIGHT (lb)
6" x 1"	1.890	11.024	9.500	8.504	8	0.866	3.126	2.008	4	M14	.276	.984	38.581
6" x 1 1/2"	1.890	11.024	9.500	8.504	8	0.866	3.874	2.874	4	M14	0.276	1.575	39.683
6" x 2"	1.890	11.024	9.500	8.504	8	0.866	4.752	3.622	4	M16	0.276	1.969	40.786
6" x 3"	2.362	11.024	9.500	8.504	8	0.866	6.000	5.000	4	M16	0.276	3.150	41.226
6" x 4"	2.362	13.583	9.500	8.504	8	0.866	7.500	6.181	8	M16	0.276	3.937	44.092
8" X 1"	2.362	13.583	11.744	10.630	8	0.866	3.126	2.008	4	M14	0.315	0.984	59.525
8" X 1 1/2"	2.362	13.583	11.744	10.630	8	0.866	3.874	2.874	4	M14	0.315	1.575	60.627
8" X 2"	2.362	13.583	11.744	10.630	8	0.866	4.752	3.622	4	M16	0.316	1.969	62.391
8" X 3"	2.362	13.583	11.744	10.630	8	0.866	6.000	5.000	4	M16	0.315	3.150	64.595
8" X 4"	2.362	13.583	11.744	10.630	8	0.866	7.500	6.181	8	M16	0.315	3.937	68.343
8" X 6"	2.008	15.945	11.744	10.630	8	0.866	9.500	8.504	8	M20	0.315	5.906	72.753
10" X 2"	2.500	15.945	14.252	12.756	12	0.984	4.752	3.622	4	M16	0.354	1.969	103.617
10" X 3"	2.953	15.945	14.252	12.756	12	0.984	6.000	5.000	4	M16	0.354	3.150	108.027
10" X 4"	2.953	15.945	14.252	12.756	12	0.984	7.500	6.181	8	M16	0.354	3.937	112.436
10" X 6"	2.953	15.945	14.252	12.756	12	0.984	9.500	8.504	8	M20	0.354	5.906	121.254
10" X 8"	2.953	19.094	14.252	12.756	12	0.984	11.744	10.630	8	M20	0.354	7.874	132.277
12" X 2"	2.953	19.094	17.000	15.000	12	0.984	4.752	3.622	4	M16	0.394	1.969	101.413
12" X 3"	2.953	19.094	17.000	15.000	12	0.984	6.000	5.000	4	M16	0.394	3.150	105.822
12" X 4"	2.953	19.094	17.000	15.000	12	0.984	7.500	6.181	8	M16	0.394	3.937	110.231
12" X 6"	2.953	19.094	17.000	15.000	12	0.984	9.500	8.504	8	M20	0.394	5.906	123.459
12" X 8"	2.953	19.094	17.000	15.000	12	0.984	11.744	10.630	8	M20	0.394	7.874	141.096
12" X 10"	2.953	19.094	17.000	15.000	12	0.984	14.252	12.756	12	M24	0.394	9.843	152.119

NOTE: Please consult manufacturer for specific sizes.

How to Order

SERIES NUMBER	MATERIAL				ENDS	CLASS	SIZE	OPERATION	
	BODY	DISC	BODY & TRIM LINER	SEAT					
FCL	2	A105 / WCB	NONE	P PTFE	NONE	F Flanged RF	0 ANSI 150#	NONE	
	4	A312 TP 304		V PVDF					
	6	DI / CI		L PPL					
				W HDPE					
				A PFA					
				F FEP					
								01X0.5	1 x 1/2"
								01.5X1	1 1/2" x 1"
								02X1	2" x 1"
								02X1.5	2" x 1 1/2"
								03X1	3" x 1"
								03X1.5	3" x 1 1/2"
								03X2	3" x 2"
								04X1	4" x 1"
								04X1.5	4" x 1 1/2"
								04X2	4" x 2"
								04X3	4" x 3"
								06X1	6" x 1"
								06X1.5	6" x 1 1/2"
								06X2	6" x 2"
						06X3	6" x 3"		
						06X4	6" x 4"		
						08X1	8" x 1"		
						08X1.5	8" x 1 1/2"		
						08X2	8" x 2"		
						08X3	8" x 3"		
						08X4	8" x 4"		
						08X6	8" x 6"		
						10X2	10" x 2"		
						10X3	10" x 3"		
						10X4	10" x 4"		
						10X6	10" x 6"		
						10X8	10" x 8"		
						12X2	12" x 2"		
						12X3	12" x 3"		
						12X4	12" x 4"		
						12X6	12" x 6"		
						12X8	12" x 8"		
						12X10	12" x 10"		

Example:

Lined Reducing Flange, Body WCB + PFA Liner, Flanged RF ANSI Class 150# Size 6" x 2".

FCL2AF006X2

