

## Features / Design

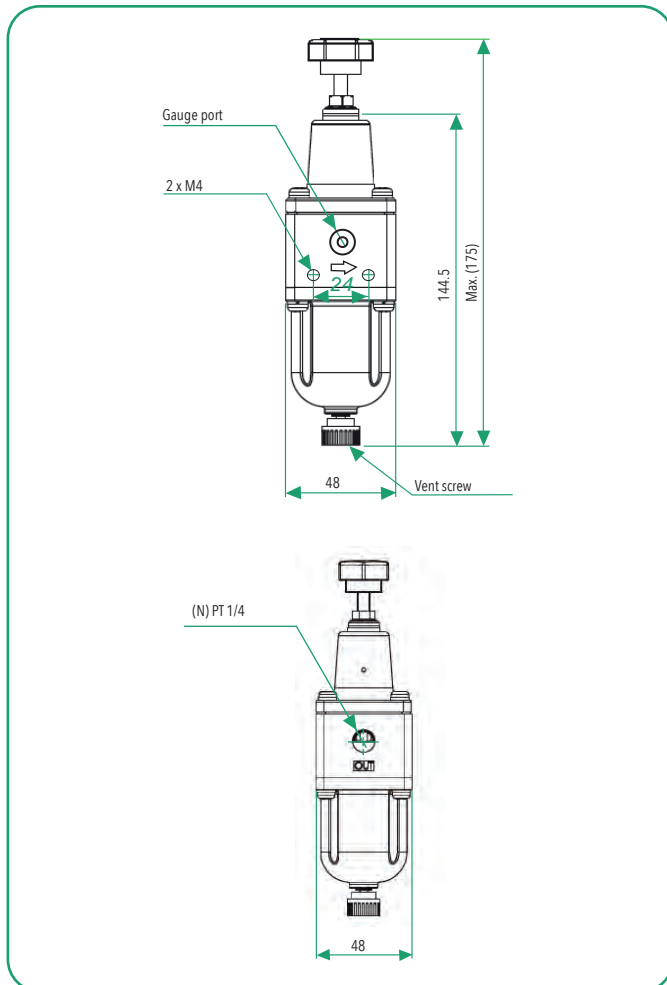
*Air unit essential to provide clean and dry supply air to valve positioners, solenoid valves and pneumatic actuators.*

- 1.- Rugged aluminum die-cast housing.
- 2.- Optional stainless steel 316 housing.
- 3.- Stable setting pressure.
- 4.- High capacity with 5 micron filter.
- 5.- Self-relief function to balance output and setting pressures.
- 6.- High flow capacity.

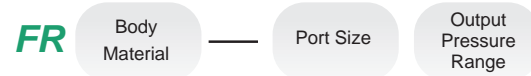


## Specifications

MODEL	FR-10	FR-11
Port Size	PT(Rc) 1/4 or NPT 1/4	NPT 1/4
Fluid	Air	
Output Pressure Range	0-4 bar (60 psi) / 0 - 8 bar (120 psi)	
Max. Supply Pressure	15 bar (225 psi)	
Operating and Fluid Temperature	-20°C to +70°C	
Supply Air	Filtered compressed, dry and non oiled air (up to 5 micron)	
Gauge Port Size	PT (Rc) 1/8	
Filteration	5 micron	
Housing Material	Aluminum Die-Cast	Stainless Steel 316
Pressure Gauge Material	Stainless Steel	
Weight	0.5 kg	1 kg



## How To Order



DESCRIPTION	CODE
Body Material	10 : Aluminum die-cast 11 : Stainless steel 316
Port Size	R : PT(Rc) 1/4 N : NPT 1/4
Output Pressure Range	1 : 0 - 4 bar (60 psi) 2 : 0 - 8 bar ( 120 psi)

