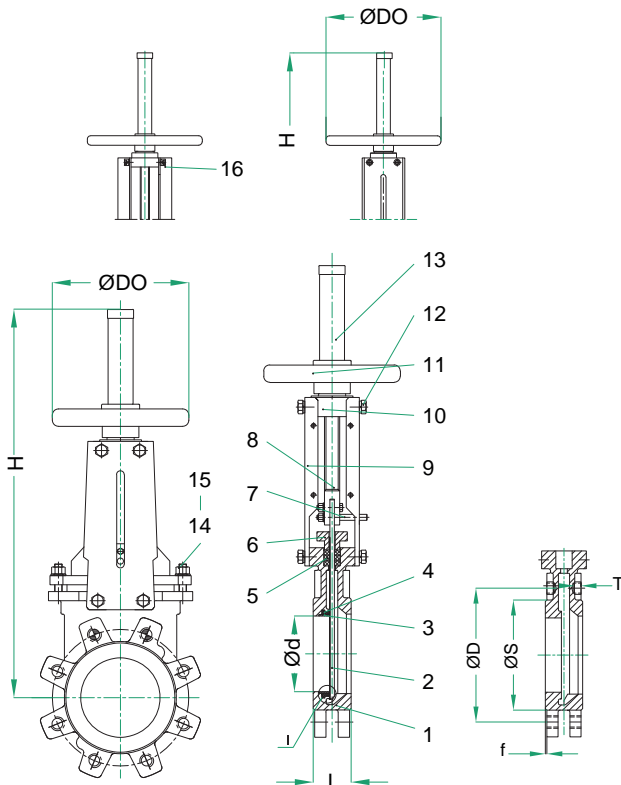




Features / Design

- 1.- KMS⁽¹⁾ is a **high performance bi-directional valve** designed for general industrial service applications.
- 2.- Design according to MSS SP-81.
- 3.- Solid One Piece Cast Body, Replacement Seat. The design of the body and seat assures non-clogging shutoff on suspended solids in industries Such as: Pulp and paper, power plants, chemical plants, wastewater and food and Beverage
- 4.- Sizes: 2" - 24" - others available.
- 5.- Body materials: Ductile iron, stainless steel.
- 6.- Seat materials: EPDM, NBR, PTFE, Metal.
- 7.- **Maximum Working Differential Pressures:**
 Sizes 2" to 10" : 10 bar (~ 145 psi).
 Sizes 12" to 18" : 7 bar (~ 101.5 psi).
 Sizes 20" to 24" : 4 bar (~ 58 psi).
 Sizes 28" to 36" : 2 bar (~ 29 psi).
 Sizes 40" to 48" : 1 bar (~ 14.5 psi).
- 8.- **Maximum Temperatures:**
 EPDM : 110°C.
 NBR : 80°C.
 PTFE : 150°C.
- 9.- Ends: ASME B16.5; face to face: MSS SP-81.
- 10.- Test and inspection acc. to MSS SP-81.

Design for 2" to 24"



NOTE: (1) KMS - High Performance Knife Gate Valve; design MSS SP-81.

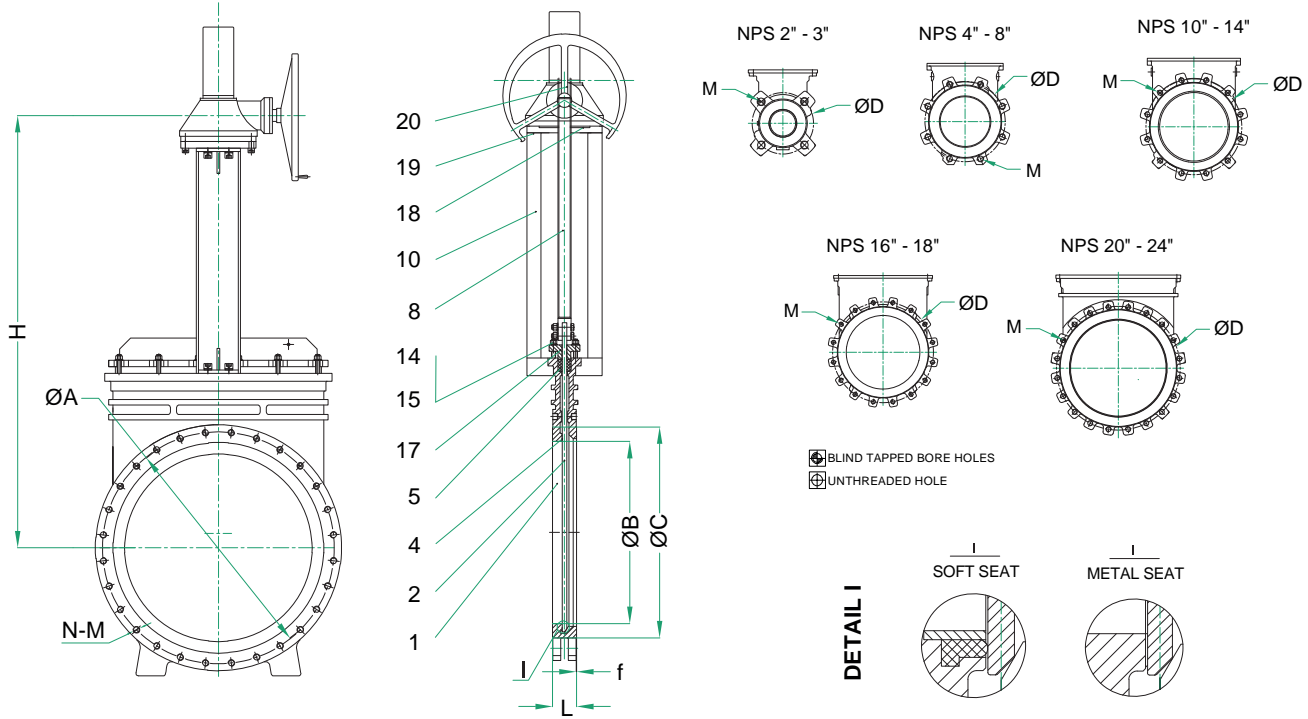
Material List

NO.	DESCRIPTION	MATERIAL
1	BODY	ASTM A536 65-45-12
2	GATE	SS304
3	RETAINER RING	SS304
4	SEAT	EPDM
5	PACKING	PTFE
6	GLAND	ASTM A216 WCB
7	INDICATOR	ASTM A276 420
8	STEM	ASTM A182 F6a
9	SUPPORT YOKE	ASTM A36
10	YOKE	CARBON STEEL
11	HANDWHEEL	CARBON STEEL
12	BOLT	ASTM A193 B8
13	STEM PROTECTOR	ASTM A36
14	BOLT	ASTM A193 B8
15	NUT	ASTM A194 8
16	BOLT	AISI 1035
17	GLAND FOLLOWER	CARBON STEEL
18	STEEL BLOCK	A216 WCB
19	BOLT	AISI 1035
20	BEVEL GEAR	COMBINATION

NOTE: Material list instance for DI body, other available. Please consult with us.

Design for 36" to 48"

Flange and Bolting Detail



Dimensions (inches)

SIZE	d (in)	L (in)	H (in)	ØD0 (in)	ØD (in)	ØA (in)	ØS (in)	f (in)	M (in)	T (in)			WEIGHT ⁽²⁾ (lb)	TORQUE ⁽²⁾ (lb*in)
2"	1.969	1.890	16.339	7.874	4.752	/	3.626	0.079	4-5/8"-11	0.315	2	2	17.637	132.743
2 1/2"	2.559	1.890	17.126	7.875	5.500	/	4.126	0.079	4-5/8"-11	0.315	2	2	18.739	159.292
3"	3.150	2.008	18.307	7.874	6.000	/	5.000	0.079	4-5/8"-11	0.315	2	2	24.251	265.487
4"	3.937	2.008	19.685	7.874	7.500	/	6.181	0.079	8-5/8"-11	0.354	2	6	35.274	353.982
5"	4.921	2.244	22.244	7.874	8.500	/	7.323	0.079	8-3/4"-10	0.433	2	6	33.069	442.478
6"	5.906	2.244	27.795	11.811	9.500	/	8.500	0.079	8-3/4"-10	0.354	2	6	52.911	530.973
8"	7.874	2.756	31.693	11.811	11.752	/	10.630	0.079	8-3/4"-10	0.591	2	6	74.957	619.469
10"	9.843	2.756	38.386	13.780	14.252	/	12.748	0.079	12-7/8"-9	0.551	4	8	103.617	973.451
12"	11.811	2.992	44.094	13.780	17.000	/	15.000	0.079	12-7/8"-9	0.591	4	8	160.938	1017.699
14"	13.228	2.992	51.969	19.685	18.752	/	16.252	0.079	12-1"-8	0.551	4	8	202.825	1327.434
16"	15.157	3.504	56.890	19.685	21.252	/	18.500	0.079	16-1"-8	0.748	6	10	286.601	1504.425
18"	17.244	3.504	63.858	19.685	22.756	/	21.000	0.079	16-1 1/8"-7	0.709	6	10	427.697	1946.903
20"	19.252	4.488	70.472	19.685	25.000	/	22.992	0.079	20-1 1/8"-7	1.024	8	12	533.519	2300.885
24"	22.441	4.488	80.709	19.685	29.500	/	27.244	0.079	20-1 1/4"-7	1.024	8	12	784.846	2477.876
36"	32.480	4.606	81.496	*	/	42.748	40.236	0.079	32-1 1/2"-6	*	/	/	*	*
48"	43.307	6.141	*	*	/	53.503	53.503	0.079	44-1 1/2"-8	*	/	/	*	*

NOTE: *Please consult with manufacturer.

Blind tapped bore holes.

Unthreaded hole.

(2) Weight and torque data for 18" to 24" are when is using gear operator.



How to Order

VALVE BODY DESIGN (SERIES)	SPECIAL FEATURES	MATERIAL			ENDS	CLASS	SIZE		OPERATION	
		BODY	TRIM	SEAT						
KMS High Performance Knife Gate Valve	NONE NONE	6 DI	3 316 SS	E EPDM	W WAFER	0 Class 150# ⁽³⁾ (- MWP) ⁽⁴⁾	02	2"	H	Handwheel
				B NBR			02.5	2 1/2"	G	Gear Operator ⁽⁵⁾
		P PTFE	03	3"	E		Electric Actuator			
		M METAL	04	4"	P		Pneumatic Actuator			
		06	6"	B	Bare Shaft					
		08	8"							
		10	10"							
		12	12"							
		14	14"							
		16	16"							
		18	18"							
		20	20"							
		24	24"							
		36	36"							
48	48"									

Example:

High Performance Knife Gate Valve, Body DI, Trim 316SS, Seat EPDM, Lug 150# (10 bar MWP), Size 6" with Handwheel.

KMS63EL006H

NOTES:

(3) Flange and bolting acc. to ASME B16.5 (Class 150).

(4) Please check the Maximum Working Differential Pressures acc. to the valve size:

Sizes 2" to 10" : 10 bar (~ 145 psi).

Sizes 12" to 18" : 7 bar (~ 101.5 psi).

Sizes 20" to 24" : 4 bar (~ 58 psi).

(5) Gear Operator - recommended for sizes from 18" to 24".