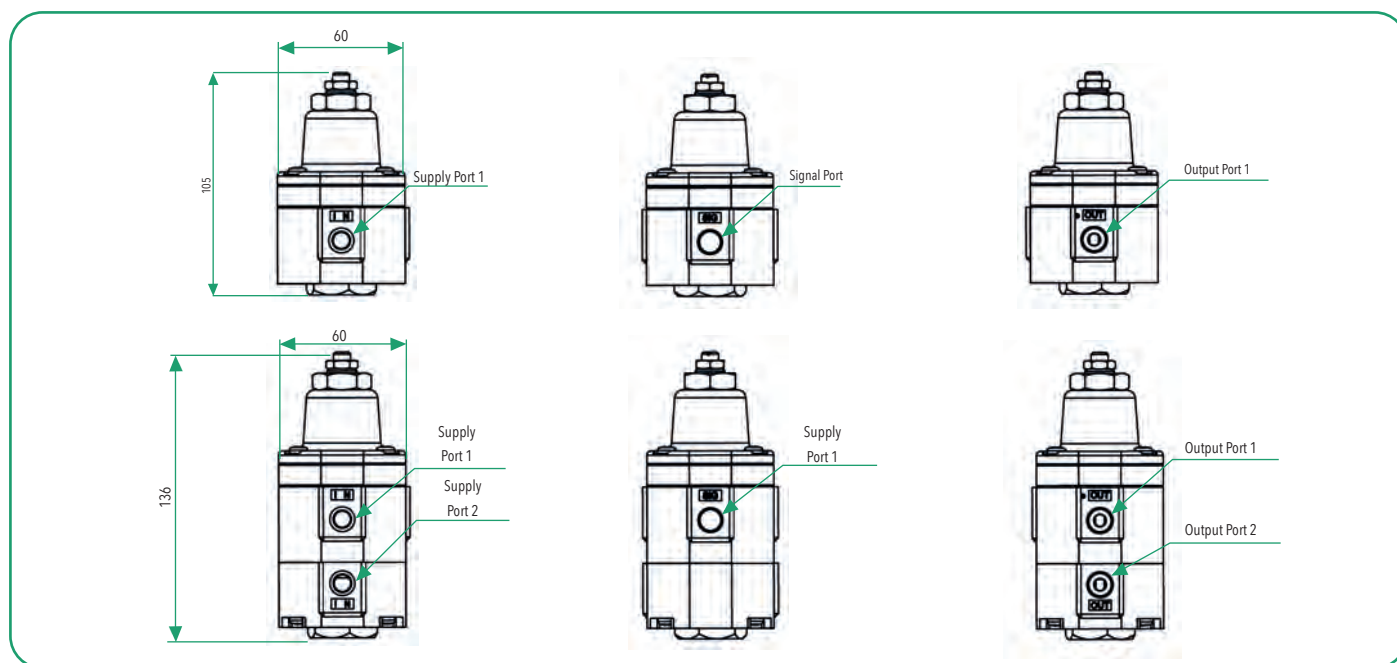




Dependable safety valve to retain a set supply air pressure and guarantee a steady process control when a supply air is suddenly failed by accident and its pressure becomes lower than a set pressure.

Dimensions



Specifications

	LU	
	LUS	LUD
Proof Pressure	Max 10 kgf/cm ² (150psi)	
Signal Pressure	1.4 ~ 7 kgf/cm ²	
Line Pressure	Max 7 kgf/cm ² (105psi)	
Flow Capacity (Cv)	0.9	
Operating Temperature	-20°C ~ +70°C*	
Pneumatic Connections	PT(Rc) 1/4 or NPT 1/4	
Hysteresis	Within 0.1 kgf/cm ²	
Body Material	Aluminum die-cast	
Weight	0.6 kg	0.8 kg

Note: * High temperature option: up to + 120 °C

How To Order



DESCRIPTION	CODE
Acting Type :	S Single acting D Double acting
Pneumatic Connections:	1 PT (Rc) 1/4 2 NPT 1/4
Operating Temperature:	1 -20 ~ +70°C (standard) 2 -20 ~ +120°C (high temp.)

