



## Features / Design

### Direct Mounting NAMUR 5/2-way and 3/2-way Polyamide General Purposes Solenoid Valves SN Series.<sup>1</sup>

- Robust, Reliable and Compact design provides bubble-tight shut-off and high cycle life.
- Corrosion resistant construction with standard manual override.
- Direct mounting according to Namur VDI/VDE 3845 standard.
- 5/2 and 3/2 function selectable via 180° rotation of single adapter plate.
- Exhaust feedback - provides spring chamber with instrument air preventing corrosion.
- Coils certified to CSA and UL standards. Coils easily changed with a wide selection of voltages available.
- Wide operating temperature range -4°F to +140°F (-20°C to +60°C). Optional Low Temp to -40°F (-40°C).
- Explosion proof, Intrinsically safe and ATEX Ex options available.<sup>2</sup>

**3/2** **3/2 configuration for spring return actuators. De-energized state, supply port 1 is blocked & port 2 exhaust is fed back to port 4 with excess vented to atmosphere via port 3.**

**5/2** **5/2 cfg. for double-acting actuators. De-energized state, with supply to port 1, flow is directed to port 4 and port 2 is vented to atmosphere via port 3.**

## Applications

- Control: quarter-turn & linear process valve actuators.
- Control of diaphragm valves.
- General automation.

## Specifications

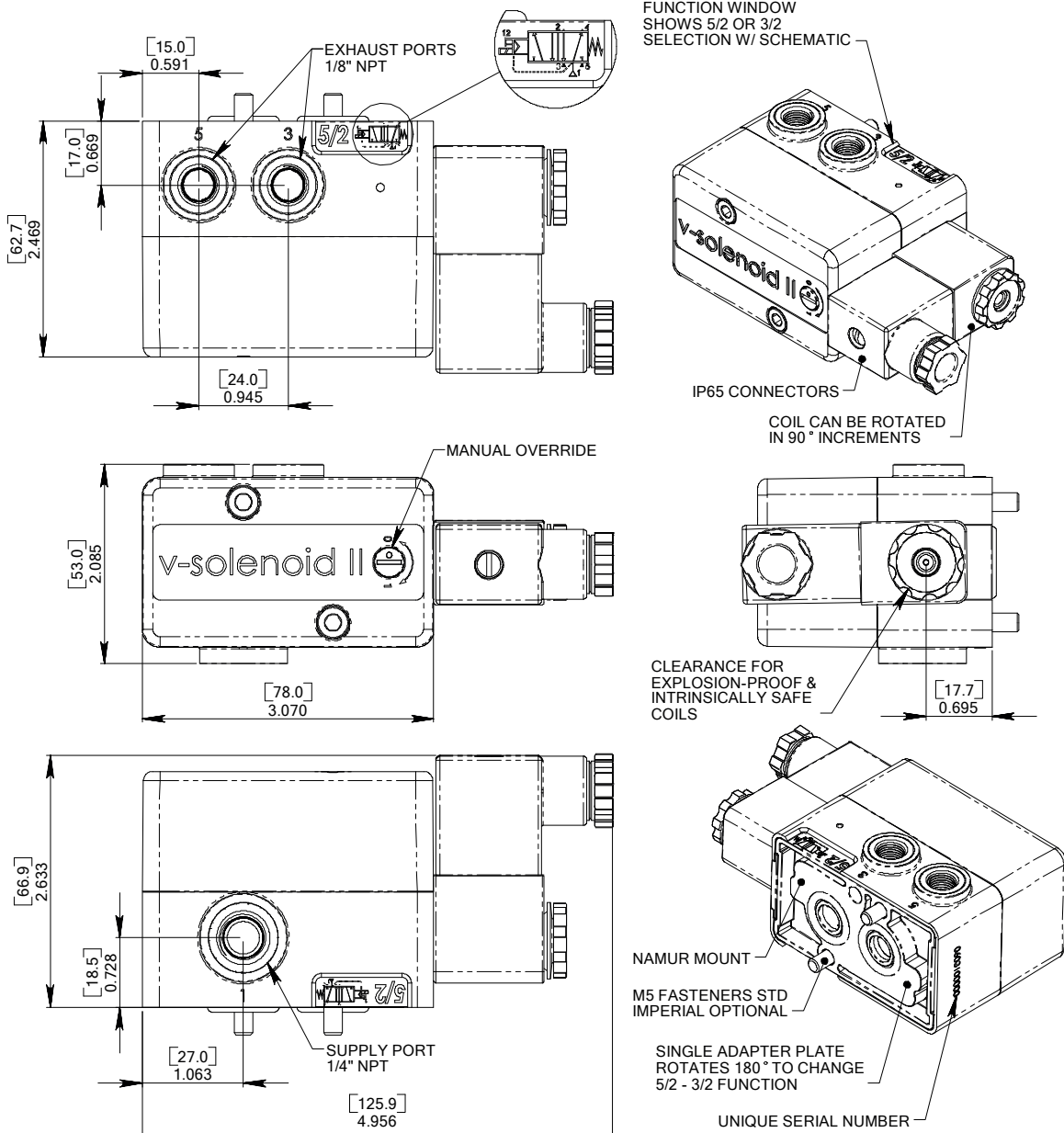
	GENERAL FEATURES
Temperature	(Standard): -4°F to +140°F (-20°C to +60°C) (Optional): Low Temp to -40°F (-40°C)
Flow	Cv=0.8
Pressure	35 to 120 psig (0.5 to 8 bar)
Ports	1/4" NPT and NAMUR flange
Response	Opening (on) 20ms, closing (off) 40ms
Media	Compressed air-lubricated or unlubricated, Instrument air, Nitrogen.
Construction	<b>Valve body:</b> Reinforced polyamide (PA) <b>Sealing material:</b> Proprietary elastomer <b>Ports:</b> MS zinc plated (stainless optional)
Options	1/8" NPT Speed controls; 1/8" NPT Exhaust mufflers; Mounting Base; Imperial mounting fasteners

	ELECTRICAL FEATURES
Voltage <sup>3</sup> (±10%)	12VDC, 24VDC, 120VAC (50/60Hz), 240VAC (50/60 Hz)
Power Cons. <sup>4</sup>	DC 4.8W, AC 60Hz 6.9VA, AC 50Hz 8.5VA
Duty Cycle	100% continuous service
Insulation Class	F
Connection	DIN industrial form
Protection Class	IP65; NEMA Types 1,2,3,3S,4 and 4X
Connector <sup>5</sup>	<b>Standard:</b> DIN industrial form, suitable for all voltages up to 250V AC/DC. <b>Optional:</b> 1/2" Conduit LED AC/DC

1) Standard delivery includes M5 fasteners (plated) & O-rings for NAMUR mount.  
 2) Please check the specific data sheet for this models (SNXP & SNIP).  
 3) Other coil voltages available upon request.  
 4) Lower power coils voltages available upon request.  
 5) Other connectors voltages available upon request.



## Dimensions



## How To Order

**SNGP** – Operation Voltage

DESCRIPTION	CODE
Operation	3/2 : 3-Way / 2-Position 5/2 : 5-Way / 2-Position
Voltage	SCD24 : 24VDC SCA120 : 120VAC

