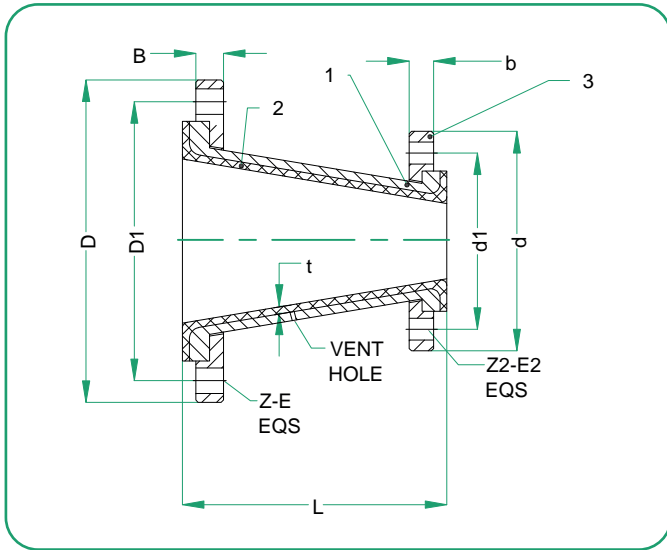




Features / Design

Lined Fittings - Series RCL / Concentric Reducer

- Design & Manufacture Standard: ASTM F1545, HG/T 2437.
- Flange Standard: ANSI B 16.5, HG/T 20592.
- Face to Face Dimension: ASME B16.5.
- Lining Thickness: 3 to 5 mm.
- Inspection and Test Standard: ASTM F1545.
- Liner Inspection: Spark test 10-20 Kv.
- Flange Material: A105, SS304, SS316... and others.
- Lining Material: PTFE, PFA, FEP... and others.



Material List

NO.	PART NAME	MATERIAL
1	BODY	ASTM A 106 Gr. B
2	LINER	PTFE
3	FLANGE	ASTM A105

NOTE: Material list as example, other materials and liners available.

Dimensions (inches)

NPS (in)	L (in)	ØD (in)	ØD1 (in)	Z	E (in)	B (in)	d (in)	d1 (in)	Z2	E2 (in)	b (in)	t (in)	Weight (lbs)
1" x 1/2"	4.488	4.331	3.142	4	0.630	0.433	3.543	2.374	4	0.630	0.433	0.157	4.409
1 1/2" x 1"	4.488	4.921	3.874	4	0.630	0.500	4.331	3.126	4	0.630	0.433	0.157	7.055
2" x 1"	5.000	5.906	4.752	4	0.748	0.563	4.331	3.126	4	0.630	0.433	0.197	8.157
2" x 1 1/2"	5.000	5.906	4.752	4	0.748	0.563	4.921	3.874	4	0.630	0.500	0.197	9.921
3" x 1"	5.984	7.480	6.000	4	0.748	0.689	4.331	3.126	4	0.630	0.433	0.236	12.125
3" x 1 1/2"	5.984	7.480	6.000	4	0.748	0.689	4.921	3.874	4	0.630	0.500	0.236	14.330
3" x 2"	5.984	7.480	6.000	4	0.748	0.689	5.906	4.752	4	0.748	0.563	0.236	14.991
4" x 1"	7.008	9.055	7.500	8	0.748	0.878	4.331	3.126	4	0.630	0.433	0.236	18.739
4" x 1 1/2"	7.008	9.055	7.500	8	0.748	0.878	4.921	3.874	4	0.630	0.500	0.236	20.944
4" x 2"	7.008	9.055	7.500	8	0.748	0.878	5.906	4.752	4	0.748	0.563	0.236	23.149
4" x 3"	7.008	9.055	7.500	8	0.748	0.878	7.480	6.000	4	0.748	0.689	0.236	27.558



Dimensions - Cont. (inches)

<i>NPS</i> (in)	<i>L</i> (in)	<i>ØD</i> (in)	<i>ØD1</i> (in)	<i>Z</i>	<i>E</i> (in)	<i>B</i> (in)	<i>d</i> (in)	<i>d1</i> (in)	<i>Z2</i>	<i>E2</i> (in)	<i>b</i> (in)	<i>t</i> (in)	<i>Weight</i> (lbs)
6" x 1"	9.016	11.024	9.500	8	0.866	0.941	4.331	3.126	4	0.630	0.433	0.276	39.683
6" x 1 1/2"	9.016	11.024	9.500	8	0.866	0.941	4.921	3.874	4	0.630	0.500	0.276	44.092
6" x 2"	9.016	11.024	9.500	8	0.866	0.941	5.906	4.752	4	0.748	0.563	0.276	48.502
6" x 3"	9.016	11.024	9.500	8	0.866	0.941	7.480	6.000	4	0.748	0.689	0.276	52.911
6" x 4"	9.016	11.024	9.500	8	0.866	0.941	9.055	7.500	8	0.748	0.878	0.276	57.320
8" x 1"	10.984	13.583	11.744	8	0.866	1.063	4.331	3.126	4	0.630	0.433	0.315	57.320
8" x 1 1/2"	10.984	13.583	11.744	8	0.866	1.063	4.921	3.874	4	0.630	0.500	0.315	59.525
8" x 2"	10.984	13.583	11.744	8	0.866	1.063	5.906	4.752	4	0.748	0.563	0.315	61.729
8" x 3"	10.984	13.583	11.744	8	0.866	1.063	7.480	6.000	4	0.748	0.689	0.315	66.139
8" x 4"	10.984	13.583	11.744	8	0.866	1.063	9.055	7.500	8	0.748	0.878	0.315	70.548
8" x 6"	10.984	13.583	11.744	8	0.866	1.063	11.024	9.500	8	0.866	0.941	0.315	77.162
10" x 6"	12.008	15.945	14.252	12	0.984	1.126	11.024	9.500	8	0.866	0.941	0.354	116.845
-	-	-	-	-	-	-	-	-	-	-	-	-	-
-	-	-	-	-	-	-	-	-	-	-	-	-	-

NOTE: Please consult manufacturer for specific sizes.

How to Order

SERIES NUMBER	MATERIAL				ENDS	CLASS	SIZE	OPERATION	
	BODY	DISC	BODY & TRIM LINER	SEAT					
RCL	2	A105 / WCB	NONE	P PTFE	NONE	F Flanged RF	0 ANSI 150#	01X0.5 1" x 1/2"	NONE
	4	A312 TP 304		V PVDF			01.5X1 1 1/2" x 1"		
	6	DI / CI		L PPL			02X1 2" x 1"		
				W HDPE			02X01.5 2" x 1 1/2"		
				A PFA			03X1 3" x 1"		
				F FEP			03X1.5 3" x 1 1/2"		
							03X2 3" x 2"		
							04X1 4" x 1"		
							04X1.5 4" x 1 1/2"		
							04X2 4" x 2"		
							04X3 4" x 3"		
							06X1 6" x 1"		
							06X1.5 6" x 1 1/2"		
							06X2 6" x 2"		
							06X3 6" x 3"		
							06X4 6" x 4"		
							08X1 8" x 1"		
		08X1.5 8" x 1 1/2"							
		08X2 8" x 2"							
		08X3 8" x 3"							
		08X4 8" x 4"							
		08X6 8" x 6"							
		10X6 10" x 6"							

Example:

Lined Concentric Reducer, Body WCB + PFA Liner, Flanged RF ANSI Class 150# Size 6" x 2".

RCL2AF006X2

