

Features / Design



5/2-way (or 3/2 way)¹ solenoid valve, actuated by permanent signal. Interface according to 1/4" NAMUR-std; with pneumatic spring return. Valves are generally equipped with manual override. Delivery of valve includes 1 pin, 2 screws, 2 O-rings.

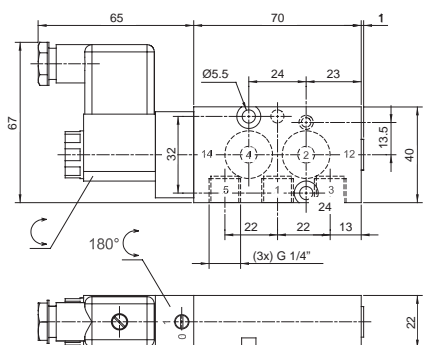
Valves are available with solenoid operators: 110V/50Hz, 24V=

22 mm wide coils. Housing made from heat resistant thermo-plastic polyester material 30 % glass filled. Interface industry form B (DIN / ISO 436 50). Isolation class F. Wire class H. Equipped with appropriate connector, solenoid offers IP 65.

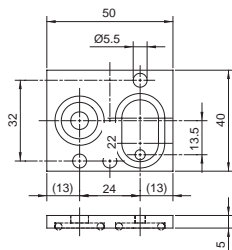
Connector for coil with black housing. Using the enclosed flat seal, fastening screw and nut appropriately the system reaches protection class IP 65 in accordance to IEC 60 529.

Specifications

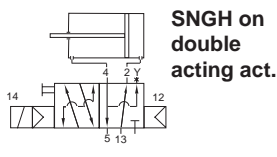
COMPONENT	FEATURE	VALUE
Valve Body 	Port Size	G 1/4"
	Air Flow	1,250 l/min
	Operating Pressure	2 - 10 bar
	Power Consumption	3W = / 5 VA ~
	Weight	0.24 kg
Coil Type 	Type	24 DC 110 AC
	Voltage	24V= 110V ~
	Tolerance	±10% ±10%
	Ampere	125 mA 45 mA
	Power Consumption	3W 5VA
	Connection	Industry form B
Connector for Coil	LED	No
	VAR	No
	Operat. Voltage	0 - 250 V
	Max. Current.	10 A
	Cable Diameter	4 - 8 mm
	Cable Length (mm)	-
	Cable Material	-
Connection	Industry form B	



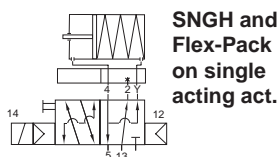
SNGH Series



"Flex Pack", Material PA, Orifice 4: 7mm, Orifice 2-3: 4mm, Weight: 0.012 kg.



SNGH on double acting act.



SNGH and Flex-Pack on single acting act.

1) Adding the "Flex-Pack", converts the valve into a 3/2-way NAMUR-valve with exhaust-air recirculation ("purge"); delivery includes longer screws, seals as well as a plug to close port 3 of the valve.

How To Order

SNGH – Operation Voltage

DESCRIPTION	CODE
Operation	3/2 : 3-Way / 2-Position 5/2 : 5-Way / 2-Position
Voltage	SCD24 : 24VDC SCA110 : 110VAC

