

Specifications

	GENERAL FEATURES
Temperature	(Standard): -4°F to +140°F (-20°C to +60°C) (Optional): Low Temp to -40°F (-40°C)
Flow	Cv=0.8
Pressure	35 to 120 psig (0.5 to 8 bar)
Ports	1/4" NPT and NAMUR flange
Response	Opening (on) 20ms, closing (off) 40ms
Media	Compressed air-lubricated or unlubricated, Instrument air, Nitrogen.
Construction	Valve body: Reinforced polyamide (PA) Sealing material: Proprietary elastomer Ports: MS zinc plated (stainless optional)
Options	1/8" NPT Speed controls; 1/8" NPT Exhaust mufflers; Mounting Base; Imperial mounting fasteners

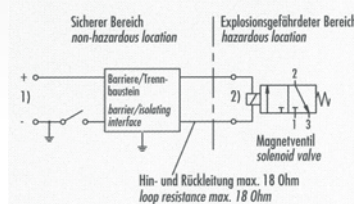
Features / Design

I-Safe Direct Mounting NAMUR 5/2-way & 3/2-way Polyamide Solenoid Valves SN Series.¹

- Robust, Reliable and Compact design provides bubble-tight shut-off and high cycle life.
- Corrosion resistant construction with standard manual override.
- Direct mounting according to Namur VDI/VDE 3845 standard.
- 5/2 and 3/2 function selectable via 180° rotation of single adapter plate.
- Exhaust feedback - provides spring chamber with instrument air preventing corrosion.
- Coils certified to CSA and UL standards. Coils easily changed with a wide selection of voltages available.
- Wide operating temperature range -4°F to +140°F (-20°C to +60°C). Optional Low Temp to -40°F (-40°C).
- Explosion proof, Intrinsically safe and ATEX Ex options available.²
- Intrinsically safe, CSA certified, FM and PTB approved for hazardous locations.

	ELECTRICAL FEATURES
Approvals	CSA, FM, PTB
Duty Cycle	100% continuous service
Insulation Class	F
Connection	DIN EN 175301-803-A / ISO 4400
Protection Class	IP65 / NEMA TYPES 1,2,3, 3S,4 & 4X
Hazardous Loc.	Ex II 2G EEx ia IIC T6 approved IEC Ex ia IIC T6 approved FM IS /I, II, III / ABCDEFG approved Coils are approved according to EN 50 020 resp. DIN VDE 0170/0171, part 5 by the PTB

Electrical:



Barrier 1)

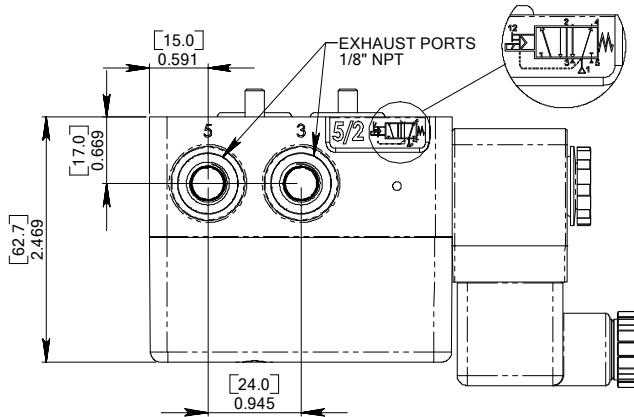
Voltage range: 21.6 to 28VDC
Peak Values: 28VDC, 115mA, 1.6W

Coil 2)
Voltage: (Nom) 24VDC
Current: >37mA
Impedance: 275 Ohm +8%
Tamb (Max): 50°C

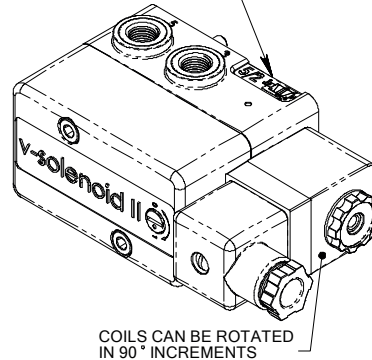
1) Standard delivery includes M5 fasteners (plated) & O-rings for NAMUR mount; for all I-Safe valves, delivery includes intrinsically safe coil, low power pilot and connector.



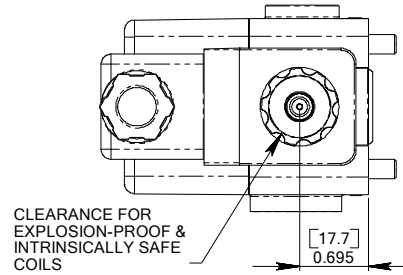
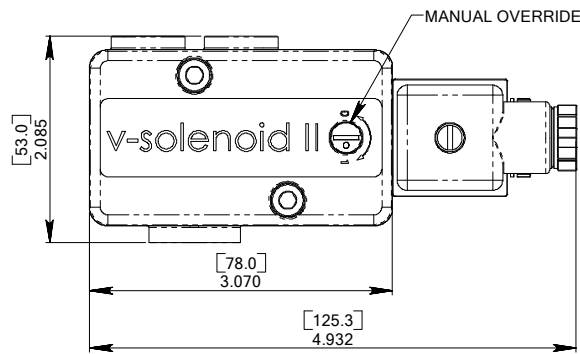
Dimensions



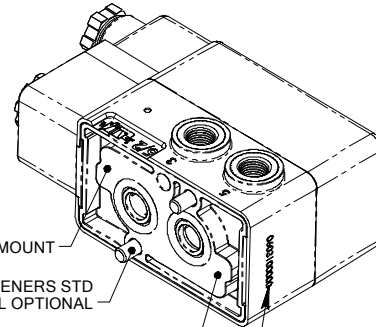
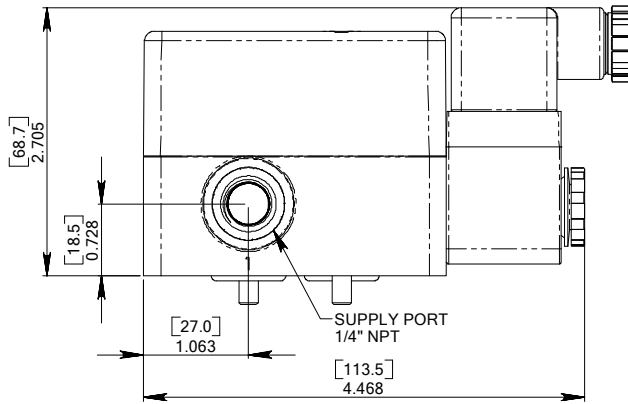
FUNCTION WINDOW SHOWS 5/2 OR 3/2 SELECTION W/ SCHEMATIC



COILS CAN BE ROTATED IN 90° INCREMENTS



CLEARANCE FOR EXPLOSION-PROOF & INTRINSICALLY SAFE COILS



NAMUR MOUNT
M5 FASTENERS STD
IMPERIAL OPTIONAL

SINGLE ADAPTER PLATE ROTATES 180° TO CHANGE 5/2 - 3/2 FUNCTION

UNIQUE SERIAL NUMBER

How To Order

SNIP – Operation – **SCD24**

DESCRIPTION	CODE
Operation	3/2 : 3-Way / 2-Position 5/2 : 5-Way / 2-Position
Voltage	SCD24 : 24VDC

