

series 53



FEATURES

1. Valve seat adopts the structure of O-ring seats and pretightening float valve seat, the soft sealing inlays fluoroplastic, it provides the function of double sealing: fluoroplastic to metal and metal to metal. And at the same time, the fluoroplastic can remove the dirt of the gate disk.
2. Of the metal to metal sealing, there is a grease injection structure outside the valve, grease injects the sealing part through the seat, in this way achieves the aim of zero leakage.
3. Through conduit gate valve always coincide with the sealing surface, whether the disc is full-open or full-closed; sealing surface to be protected from scouring by media directly, thereby extending the service life. In full-time, smooth channel for the direct and flow resistance coefficient is extremely small, no pressure loss, leading to Pig.

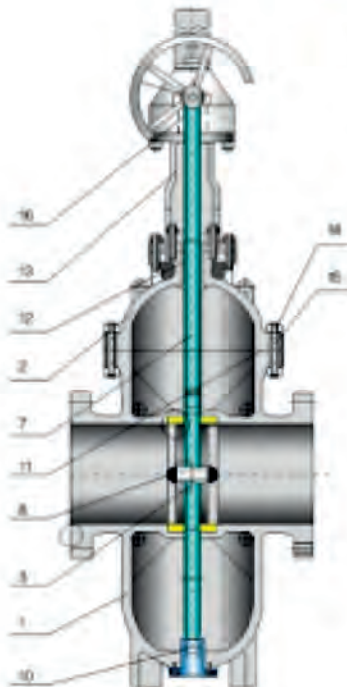
STANDARDS

- Design & Manufacture conform with : API 6D / ISO 14313, ASME B16.34
- Connection Dimension conforms with : ASME B16.5, DIN EN 1092
- Fire Resistant Design conforms with : API 607 / ISO 10497
- Inspection & Testing conform with : API 6D, ISO 5208, API 598
- Material conforms with : ISO 15156

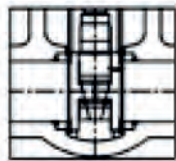
Materials of parts

Body	WCB/LCB/CF8M/CF8/CF3M/CF3/WC6/WC9/CD3MN
Bonnet	WCB/LCB/CF8M/CF8/CF3M/CF3/WC6/WC9/CD3MN
Disc	A105+ENP/LF2+ENP/F304/F316/F304L/F316L/F51
Seat	A105+ENP/LF2+ENP/F304/F316/F304L/F316L/F51
Stem	F6a/F304/F316/F304L/F316L/F51
Seal ring	PTFE/NYLON/PEEK/TEFLON
Sealing surface material	1~12 Trim material
O- ring	VITON/NBR
Bolt	B7M/B8M/L7M/B16M
Nut	2HM/8M/7M/4M
Spring	17- 4PH/Inconel
Stem nut	C95200/D2/A536
Gasket	Flexible graphite+304/Flexible graphite+316
Packing	Flexible graphite/PTFE

Materials could be choosed according to customers' requirement & working condition.



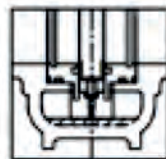
Single disk with pilot port structure



Double disk non-diversion hole structure



Double disk with diversion hole structure



Single disk non-diversion hole structure



Soft sealing structure



Hard sealing structure

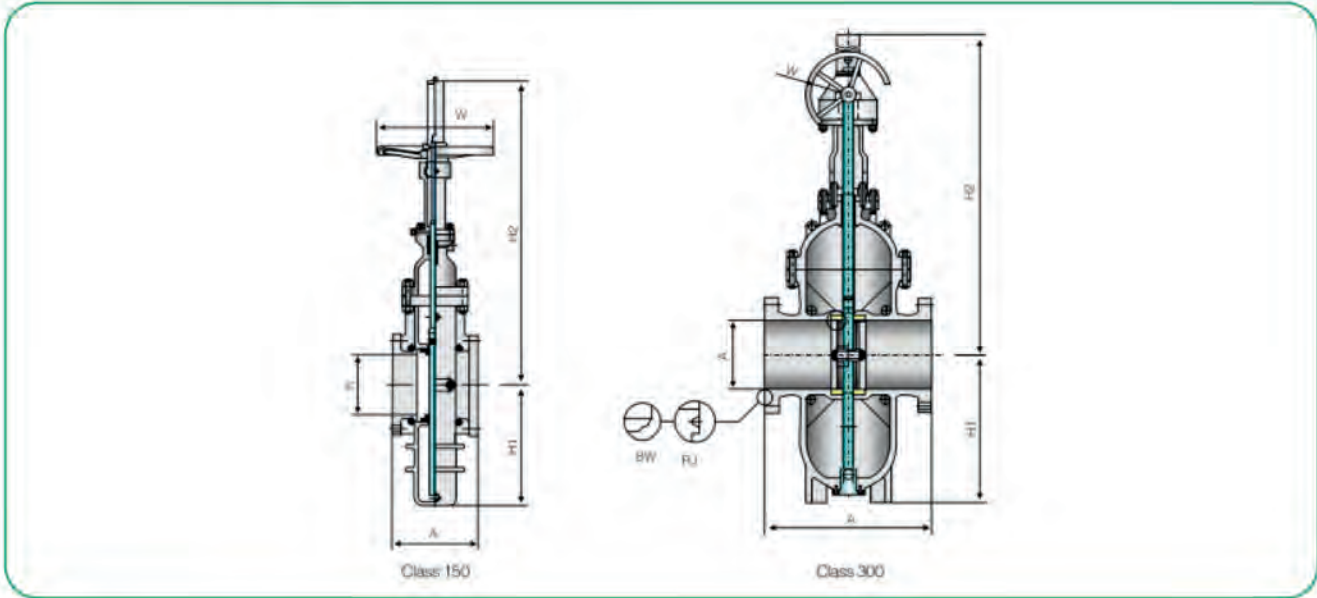
Materials of parts

No	Part Name	No	Part Name
1	Body	9	Spring
2	Bonnet	10	Blowdown valve
3	Disc	11	Gasket
4	Seat	12	Packing
5	Sealing ring	13	Yoke
6	O- ring	14	Nut
7	Stem	15	Bolt
8	Seat grease injection valve	16	Stem nut



STANDARDS **FLAT GATE VALVE 150# / 300#**

- Design & Manufacture conform with : API 6D / ISO 14313, ASME B16.34
- Connection Dimension conforms with : ASME B16.5, DIN EN 1092
- Fire Resistant Design conforms with : API 607 / ISO 10497
- Inspection & Testing conform with : API 6D, ISO 5208, API 598
- Material conforms with : ISO 15156



Dimensional datas

NPS inch	DN	A mm	B mm	H1 mm	H2 mm	W mm	WT kg	T N.m	NPS inch	DN	A mm	B mm	H1 mm	H2 mm	W mm	WT kg	T N.m
ANSI Class 150Lb																	
2	50	178	51	125	452	200	25	23	16	400	406	385	685	1854	560	630	572
3	80	203	76	175	605	250	43	50	18	450	432	436	790	2088	650	836	728
4	100	229	100	202	680	280	65	60	Ø2 0	500	457	487	880	2420	460	1190	910
6	150	267	150	282	890	300	95	78	Ø2 4	600	508	589	1050	2688	460	1580	1313
8	200	292	201	355	1128	350	146	143	Ø2 8	700	610	684	1192	3078	460	2400	2028
10	250	330	252	445	1296	400	245	211	Ø3 0	750	610	735	1268	3252	600	3200	2305
12	300	356	303	518	1483	450	343	289	Ø3 2	800	711	779	1355	3495	600	3700	2795
14	350	381	334	606	1668	500	480	403	Ø3 6	900	711	874	1515	3898	600	4600	3783

Dimensional datas

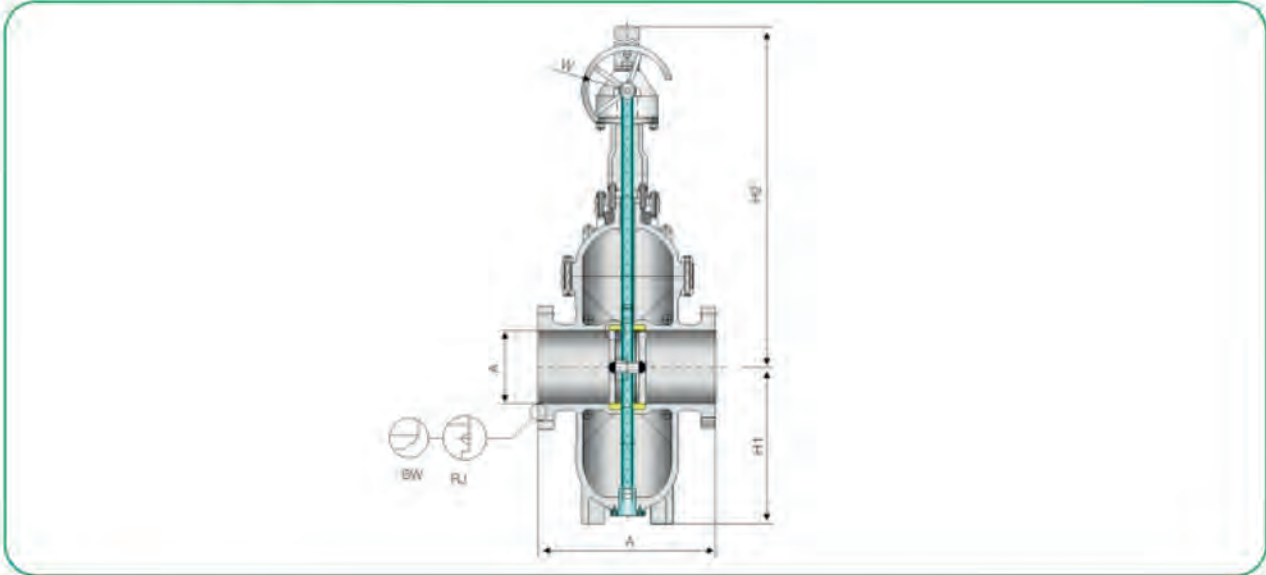
NPS inch	DN	A mm	B mm	H1 mm	H2 mm	W mm	WT kg	T N.m	NPS inch	DN	A mm	B mm	H1 mm	H2 mm	W mm	WT kg	T N.m
ANSI Class 300Lb																	
2	50	292	51	135	456	200	30	25	16	400	902	385	730	1884	650	1280	735
3	80	356	76	182	618	250	48	71	Ø1 8	450	978	436	802	2163	460	1665	988
4	100	406	100	216	713	280	78	95	Ø2 0	500	1054	487	935	2420	460	2168	1235
6	150	495	150	315	903	350	152	117	Ø2 4	600	1232	589	1103	2810	460	2980	1963
8	200	597	201	382	1133	400	240	185	Ø2 8	700	1397	684	1262	3203	460	4060	2990
10	250	673	252	480	1403	450	420	292	Ø3 0	750	1524	735	1342	3412	600	4980	3566
12	300	762	303	545	1582	500	525	366	Ø3 2	800	1651	779	1422	3646	600	5800	4121
14	350	826	334	645	1688	560	810	576	Ø3 6	900	1880	874	1513	4055	600	7790	5785

Note: Worm- gear actuator



STANDARDS **FLAT GATE VALVE 600# / 900# / 1500#**

- Design & Manufacture conform with : API 6D / ISO 14313, ASME B16.34
- Connection Dimension conforms with : ASME B16.5, DIN EN 1092
- Fire Resistant Design conforms with : API 607 / ISO 10497
- Inspection & Testing conform with : API 6D, ISO 5208, API 598
- Material conforms with : ISO 15156



Dimensional datas

NPS inch	DN	A mm	B mm	H1 mm	H2 mm	W mm	WT kg	T N.m	NPS inch	DN	A mm	B mm	H1 mm	H2 mm	W mm	WT kg	T N.m
ANSI Class 600Lb																	
2	50	292	51	160	466	250	60	32	Ø 14	350	889	334	654	1745	460	1680	1453
3	80	356	76	228	622	280	106	117	Ø 1 6	400	991	385	740	1978	460	2230	2103
4	100	432	100	258	724	350	160	169	Ø 1 8	450	1092	436	812	2268	600	2700	2808
6	150	559	150	332	913	450	395	234	Ø 2 0	500	1194	487	1040	2509	600	3100	3653
8	200	660	201	411	1148	560	605	319	Ø 2 4	600	1397	589	1160	2820	600	5100	4953
10	250	787	252	493	1412	600	960	737	Ø 2 8	700	1549	684	1288	3233	1000	7050	6253
12	300	838	303	577	1596	650	1520	1274	Ø 3 0	750	1651	735	1330	3442	1000	8200	7163

Dimensional datas

NPS inch	DN	A mm	B mm	H1 mm	H2 mm	W mm	WT kg	T N.m	NPS inch	DN	A mm	B mm	H1 mm	H2 mm	W mm	WT kg	T N.m
ANSI Class 900Lb																	
2	50	368	49	162	476	300	133	71	12	300	965	303	577	1600	460	1850	1296
3	80	381	74	230	638	350	198	150	14	350	1029	322	660	1755	460	2580	1482
4	100	457	100	262	730	400	260	181	16	400	1130	373	750	2028	600	3500	2139
6	150	610	150	336	920	560	565	413	18	450	1219	423	822	2288	600	4400	2919
8	200	737	201	415	1152	600	965	767	20	500	1321	471	1058	2525	600	5560	4486
Ø 1 0	250	838	252	496	1418	660	1280	1021	24	600	1549	589	1176	2850	1000	7480	5195

Dimensional datas

NPS inch	DN	A mm	B mm	H1 mm	H2 mm	W mm	WT kg	T N.m	NPS inch	DN	A mm	B mm	H1 mm	H2 mm	W mm	WT kg	T N.m
ANSI Class 1500Lb																	
2	50	368	49	162	476	300	133	107	Ø 6	150	705	144	338	930	460	830	618
3	80	470	74	230	638	400	235	225	Ø 8	200	832	192	420	1160	460	1380	1151
4	100	546	100	270	745	500	398	272	Ø 1 0	250	991	239	500	1428	460	2230	1532

Note: Turbine drives



HOW TO ORDER

VALVE TYPE			FEATURES		MATERIAL		ENDS	CLASS	SIZE	OPERATION					
Body Design (SERIES)	Bonnet Design	Wedge Design			BODY	TRIM (Stem / Slab / Seat Ring)									
53 Through Conduit Gate Valve	B Bolted Bonnet	L Slab	NONE	NONE	20	A216 WCB	20	F6 / A516 Gr70+ENP / A516 Gr70+HF+PTFE	F Flanged RF	0	ANSI 150#	02	2"	H	Handwheel
		E Expanding	6D	API 6D	21	A216 WCC	21	410+STL /410+STL /410+STL+CPTFE		3	ANSI 300#	02.5	2 1/2"	G	Gear Operator
			N	NACE	22	A350 LCB ⁽¹⁾	10	F316 / F316 / F316+HF+PTFE		6	ANSI 600#	03	3"		
			ND	NACE/API 6D	23	A352 LC3 ⁽¹⁾				9	ANSI 900#	04	4"	E	Electric Actuator
			F	Fire Safe	24	A217 WC1				1	ANSI 1500#	05	5"		
			G	Fire Safe / NACE	25	A217 WC6 ⁽²⁾				2	ANSI 2500#	06	6"	P	Pneumatic Actuator
					26	A217 WC9 ⁽²⁾						08	8"		
					27	A217 C5 ⁽²⁾						10	10"		
					28	A217 C12 ⁽¹⁾						12	12"	B	Bare Shaft
					30	A351 CF8M ⁽³⁾						14	14"		
					31	A351 CF3M ⁽³⁾						16	16"		
					32	A351 CF8 ⁽³⁾						18	18"		
					33	A351 CF3 ⁽³⁾						20	20"		
					40	Monel						24	24"		
					41	Alloy 20						26	26"		
			42	Hastelloy					28	28"					
			43	A182 Gr321					30	30"					
			44	A182 Gr347					36	36"					
			45	Duplex					40	40"					
			46	Triballoy 900					42	42"					
			47	Incolloy 800					48	48"					
			48	Incolloy 825					52	52"					

Example
Through Conduit Gate Valve OS&Y, Bolted Bonnet Slab Design, Body WCB Trim 20, according with NACE Design, API 6D, Flanged ANSI Class 150#, Size 6" with Handwheel.
53BL-2020-NDF006H

(1) OTHER TRIMS AVAILABLE UPON REQUEST SPRINGS ARE INCONEL X-750 IN ALL CASES
***HF = Usually Stellite 6 other available under request