

Series 60P (API 600) & 61P (API 603)



FEATURES

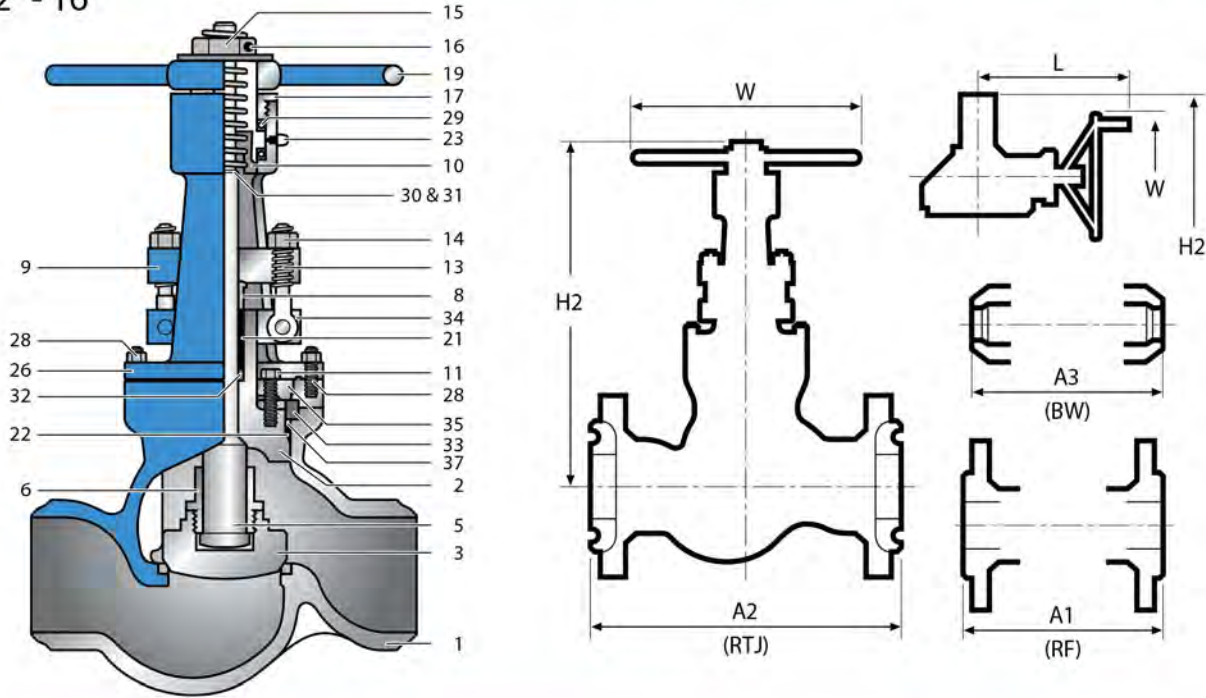
- OS&Y
- CAST & STAINLESS STEEL
- SIZES 2" - 16" CLASS 600 - 2500
- BASIC DESIGN ANSI B 16.34
- FACE TO FACE DIMENSION ANSI B16.10
- FLANGE END DIMENSION ANSI 16.5
- BUT - WELD END DIMENSION ANSI B16.25
- INSPECTION & TESTING API 598 / API6D

TRIM MATERIAL

Trim No.	Seat ring surface	Disc seat surface	Stem	Backseat bushing
1	F6 (13% CR)	F6 (13% CR)	F6 (13% CR)	F6 (13% CR)
2	F304	F304	F304	F304
5	Stellite 6	Stellite 6	F6 (13% CR)	F6 (13% CR)
6	Cu-Ni	F6 (13% CR)	F6 (13% CR)	F6 (13% CR)
8	Stellite 6	F6 (13% CR)	F6 (13% CR)	F6 (13% CR)
9	Monel	Monel	Monel	Monel
10	F316	F316	F316	F316
13	Alloy 20	Alloy 20	Alloy 20	Alloy 20

CAST & STAINLESS STEEL PRESSURE SEAL GLOBE VALVES CLASS 600 - 2500

2" - 16"



BILL OF MATERIAL

NO	NAME OF PART	ASTM SPECIFICATION						
		CARBON STEEL	HIGH TEMPERATURE SERVICE			LOW TEMPERATURE SERVICE	STAINLESS STEEL	
1	BODY	A216-WCB	A217-WC6	A217-WC9	A217-C5	A352-LCB/LC2/LC3	CF8M	CF8C
2	BONNET	A216-WCB	A217-WC6	A217-WC9	A217-C5	A352-LCB/LC2/LC3	CF8M	CF8C
3	DISC	A217-CA15	A217-WC6	A217-WC9	A217-C5	A352-LCB/LC2/LC3	CF8M	CF8C
5	STEM	A182-F6Q	A182-F60	A182-F60	A182-F60	A182-F304	F316	F347
6	DISC GLAND	A217-CA15	A217-CA15	A217-CA15	A217-CA15	A182-F304	F316	F347
8	PACKING GLAND	A276-410	A276-410	A276-410	A276-410	A276-304	F316	F347
9	GLAND FLANGE	A105	A105	A105	A105	A360-LF2	CF8M	CF8C
10	YOKE SLEEVE	A439-D2C	A439-D2C	A439-D2C	A439-D2C	A147-B8	F316	F347
11	BONNET BOLT	A193-B7	A193-B16	A193-B16	A193-B16	A320-L7	A193-B8	A193-B8
13	GLAND BOLT	A193-B7	A193-B7	A193-B7	A193-B7	A320-L7	A193-B8	A193-B8
14	GLAND NUT	A194-2H	A194-2H	A194-2H	A194-2H	A194-4	A194-8	A194-8
15	HANDLE NUT	STEEL						
16	SET SCREW	STEEL						
19	HANDWHEEL	A395						
21	PACKING	COMMERCIAL						
22	GASKET	COMMERCIAL						
26	YOKE	A216-WCB	A216-WC6	A216-WC9	A216-C5	A352-LCB/LC2/LC3	CF8M	CF8C
27	YOKE BOLT	A193-B7	A193-B16	A193-B16	A193-B16	A320-L7	A193-B8	A193-B8
28	YOKE NUT	A194-2H	A194-4	A194-4	A194-4	A194-4	A194-8	A194-8
30	STOPPER	A283-D						
31	STOPPER PIN	A276-410	A276-410	A276-410	A276-410	A276-304	F316	F347
32	PACKING WASHER	A276-410	A276-410	A276-410	A276-410	A276-304	F316	F347
33	RETAINER	A276-410	A276-410	A276-410	A276-410	A276-304	F316	F347
34	HINGE CLAMP	A216-WCB	A216-WC6	A216-WC9	A216-C5	A352-LCB/LC2/LC3	CF8M	CF8C
35	BONNET CLAMP	A216-WCB	A216-WC6	A216-WC9	A216-C5	A352-LCB/LC2/LC3	CF8M	CF8C
37	GASKET SPACER	A276-410	A276-410	A276-410	A276-410	A276-304	F316	F347

OTHER MATERIAL AVAILABLE UPON REQUEST INCLUDING NACE MR0175
HARD FACE STANDARD STELLITE 6 (OTHER OPTIONS AVAILABLE UPON REQUEST)



CLASS 600 - CAST & STAINLESS STEEL PRESSURE SEAL GLOBE VALVES

DIMENSIONS & WEIGHTS

VALVE SIZE	in	2	2.5	3	4	6	8	10	12	14	16
A1 (RF)	in	7.0	8.5	10.0	12.0	18.0	23.0	28.0	32.0	35.0	39.0
A2 (RTJ)	in	11.5	13.0	14.0	17.0	22.0	26.0	31.0	33.0	35.0	39.0
A3 (BW)	in	11.62	13.12	14.12	17.12	22.12	26.12	31.12	33.12	35.12	39.12
H2	in	21.7	24.8	26.8	29.5	45.3	49.2	55.1	61.0	70.9	85.0
W	in	9.8	11.8	11.8	17.7	23.6	18.1	24.0	24.0	24.0	29.9
L	in	-	-				20.2	17.0	20.2	20.2	22.3
WGT (RF)	lb	99.2	121.2	187.4	297.7	672.5	1367.1	2888.6	4189.5	5997.6	6945.8
WGT (BW)	lb	77.2	99.2	132.3	209.5	507.2	1190.7	2535.8	3792.6	5578.7	6394.5

CLASS 900 - CAST & STAINLESS STEEL PRESSURE SEAL GLOBE VALVES

DIMENSIONS & WEIGHTS

VALVE SIZE	in	2	2.5	3	4	6	8	10	12	14	16
A1 (RF)	in	8.5	10.0	12.0	14.0	20.0	26.0	31.0	36.0	39	43.0
A2 (RTJ)	in	14.5	16.5	15.0	18.0	24.0	29.0	33.0	38.0	40.5	44.5
A3 (BW)	in	14.62	16.62	15.12	18.12	24.12	29.12	33.12	38.12	40.88	44.88
H2	in	24.4	25.3	28.4	33.5	48.2	53.1	61.0	68.9	78.7	90.9
W	in	15.7	15.7	15.7	19.7	24.0	24.0	24.0	24.0	29.9	29.9
L	in	-	-	-	-	20.2	17.0	20.2	20.2	22.3	22.3
WGT (RF)	lb	176.4	242.6	231.5	374.9	926.1	2205.0	3792.6	5071.5	7386.8	8820.0
WGT (BW)	lb	121.3	176.4	176.4	286.7	793.8	1984.5	3351.6	4520.3	6725.3	7938.0



CLASS 1500 - CAST & STAINLESS STEEL PRESSURE SEAL GLOBE VALVES

DIMENSIONS & WEIGHTS

VALVE SIZE	in	2	2.5	3	4	6	8	10	12	14
A1 (RF)	in	8.5	10.0	12.0	16.0	22.0	28.0	34.0	39.0	42.0
A2 (RTJ)	in	14.5	16.5	18.5	21.5	27.75	32.75	39.0	44.5	49.5
A3 (BW)	in	14.62	16.62	18.62	21.62	28.0	33.13	39.38	45.12	50.25
H2	in	24.4	25.2	32.9	33.7	48.4	70.9	78.7	91.0	105.9
W	in	15.7	15.7	19.7	19.7	24.0	24.0	29.9	29.9	29.9
L	in	-	-	-	-	20.2	20.2	20.2	20.2	22.3
WGT (RF)	lb	176.4	242.6	299.9	496.1	1433.3	3704.4	5909.4	7497.0	9481.5
WGT (BW)	lb	121.3	176.4	209.5	352.8	1146.6	3153.2	5027.4	6240.2	7938.0

CLASS 2500 - CAST & STAINLESS STEEL PRESSURE SEAL GLOBE VALVES

DIMENSIONS & WEIGHTS

VALVE SIZE	in	2	2.5	3	4	6	8	10	12
A1 (RF)	in	11.0	13.0	14.5	18.0	24.0	30.0	36.0	41.0
A2 (RTJ)	in	17.75	20.0	22.75	26.5	36.0	40.25	50.0	56.0
A3 (BW)	in	17.87	20.25	23.0	26.88	36.5	40.87	50.88	56.88
H2	in	24.3	30.7	31.5	51.2	53.9	85.0	100.0	106.0
W	in	15.7	19.7	19.7	24.0	24.0	29.9	29.9	29.9
L	in	-	-	-	20.2	17.0	22.3	22.3	22.3
WGT (RF)	lb	220.5	341.8	463.1	1102.5	2756.3	5292.0	7276.5	9261.0
WGT (BW)	lb	154.4	242.6	308.7	771.8	2094.8	4410.0	5512.5	7276.5



HOW TO ORDER

VALVE TYPE			FEATURES		MATERIAL		ENDS	CLASS	SIZE ⁽⁴⁾	OPERATION						
SERIES		Wedge/Disc Design			BODY	TRIM (Stem/Disc/seat Ring)										
60	Globe Valve OS&Y API 600	P Pressure Seal	C Conical Std Plug	NONE NONE	20	A216 WCB	01	13CR	F	Flanged RF	0	ANSI 150#	02	2"	H	Handwheel
			6D API 6D	21	A216 WCC	02	304SS	R	Flanged RTJ	3	ANSI 300#	02.5	2 1/2"			
61	Globe Valve OS&Y API 603	P Pressure Seal	G Guide Plug	N NACE	22	A350 LCB ⁽¹⁾	05	13CR / HF / HF	B	Butt Weld	6	ANSI 600#	03	3"	G	Gear Operator
			A Parabolic Plug	ND NACE/API 6D	23	A352 LC3 ⁽¹⁾	06	13CR / 13CR / CuNi	9	ANSI 900#	04	4"				
			O Soft Seated Plug	F Fire Safe	24	A217 WC1	06	13CR / 13CR / CuNi	1	ANSI 1500#	05	5"	E	Electric Actuator		
				O Oxygen Service	25	A217 WC6 ⁽²⁾	08	13CR / 13CR / HF	2	ANSI 2500#	06	6"	P	Pneumatic Actuator		
				FE Fugitive Emmisions	26	A217 WC9 ⁽²⁾	08	13CR / 13CR / HF			08	8"				
				BS Bellows Seal	27	A217 C5 ⁽²⁾	09	Monel			10	10"				
				CR Criogenic Service	28	A217 C12 ⁽¹⁾	09	Monel			12	12"				
				TS Thermal Shield	30	A351 CF8M ⁽³⁾	10	316SS			14	14"				
					31	A351 CF3M ⁽³⁾	11	AB C61300			16	16"				
					32	A351 CF8 ⁽³⁾	12	316SS / 316SS / HF			18	18"				
		33	A351 CF3 ⁽³⁾	13	CN7M											
		40	Monel	14	CN7M / CN7M HF											
		41	Alloy 20	15	AB C95500											
		42	Hastelloy	16	316 + HF / 316 + HF / 316 + HF											
		43	A182 Gr321	17	316L SS											
		44	A182 Gr347	17	316L SS											
		45	Duplex	18	Monel / Monel / HF											
		46	Triballoy 900													
		47	Incolloy 800													
		48	Incolloy 825													

Example
Globe Valve OS&Y API 603, Pressure Seal Standard Plug, Body WCB Trim 5 (Stem 13% Cr, Disc and Seat Harfacing Stellite)
Flanged ANSI Class 150# Size 6" with Handwheel.

61PC-2005-F006H

(1) Low temperature Sevice
(2) High temperature Sevice
(3) Stainless Steel
(4) Available Sizes: ANSI Class 150# - from 2" to 18"
300, 600, 900 & 1500# - from 2" to 16"
2500# - from 2" to 12"

(5) Series 63 & 64 are Bolted Bonnet design only