



# SERIES 50

## Cast Steel Gate Valve.

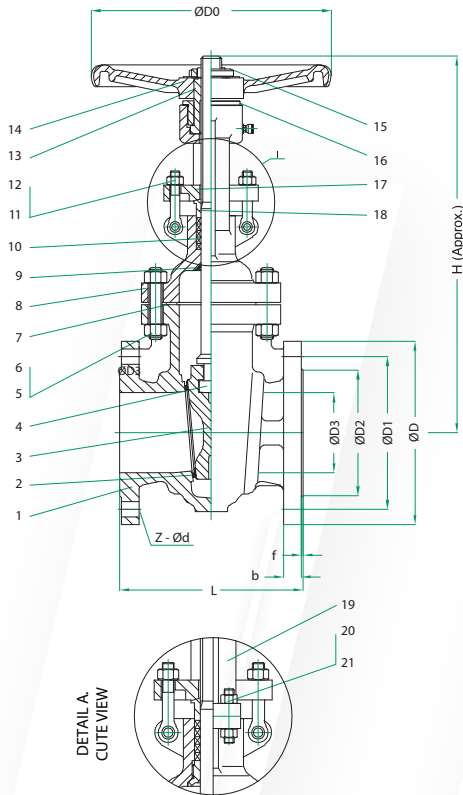


### Features / Design



- 1.- Gate Steel, OS&Y Design.
- 2.- Standard Configuration: Flexible Wedge & Renewable Seat Rings & Back Seat.
- 3.- Sizes 2" to 52", Class 150# to 2500#.
- 4.- Basic design API 600 & ASME
- 5.- Butt Weld ends according to ASME
- 6.- Flanged ends dimensions ASME ( $\text{Ø} \geq 24"$ ), ASME B16.34
- 7.- Shell W.T. <sup>(1)</sup> API 600, ASME B16.34
- 8.- Face to face acc. to ASME B16.10
- 9.- Inspection & Testing API 598.
- 10.- All trim available upon request.

Design for Class ASME / ANSI 150# - 2" to 16"

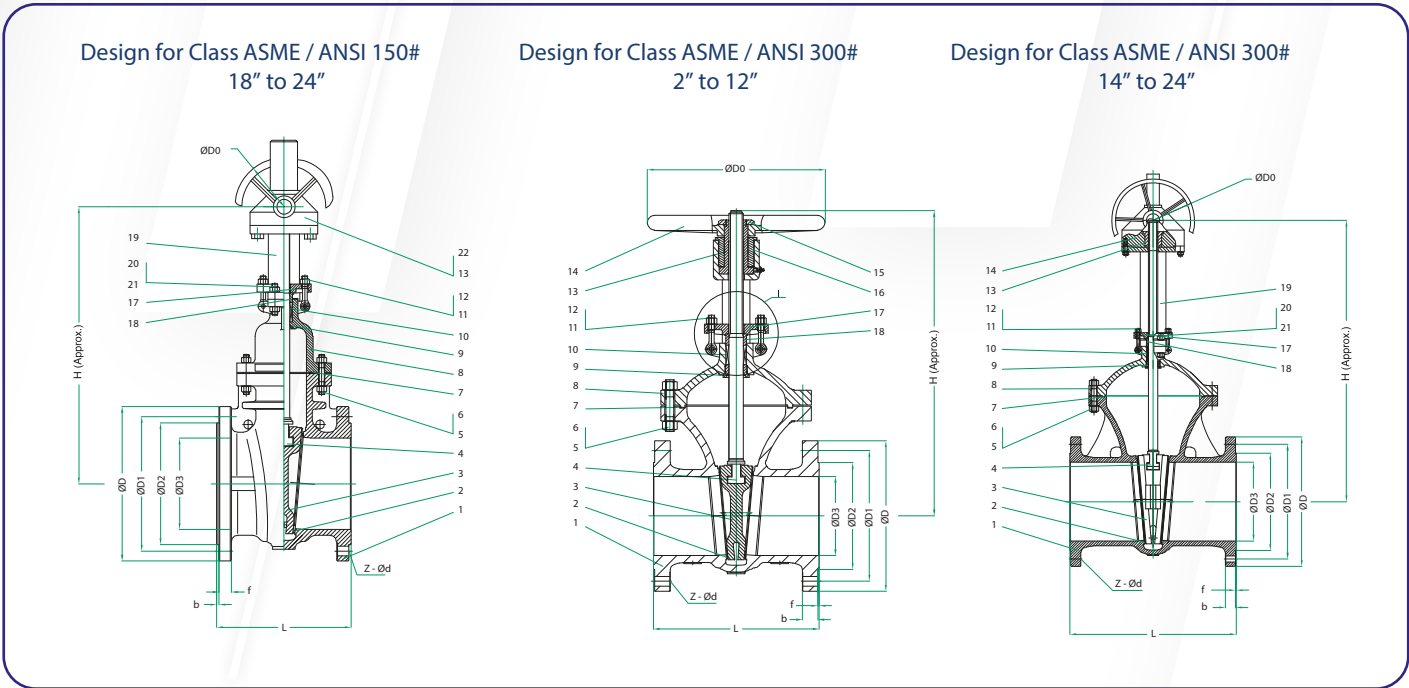


### Standard Material List<sup>(2)</sup>

NO.	DESCRIPTION	MATERIAL	
		TRIM 5	TRIM 10
1	BODY	A216 WCB	A351 CF8M
2	SEAT	A216 WCB + STL6#	A351 CF8M
3	WEDGE DISC	A216 WCB + STL6#	A351 CF8M
4	STEM	A182 F6a	A276 316
5	BONNET BOLT	A193 B7	A193 B8
6	BONNET NUT	A194 2H	A194 8
7	GASKET	SS304 + GRAPHITE <sup>(3)</sup>	SS316 + GRAPHITE <sup>(3)</sup>
8	BONNET	A216 WCB	A351 CF8M
9	BACK SEAT	A182 F6a	A351 CF8M
10	PACKING	FLEX. GRAPHITE	FLEX. GRAPHITE
11	EYE BOLT	A193 B7	A193 B8
12	EYE NUT	A194 2H	A194 8
13	STEM NUT	Bronze	Bronze
14	HANDWHEEL	DI	DI
15	HANDWHEEL NUT	A108 1020	A108 1020
16	GLAND NUT	A194 2H	A194 8
17	GLAND FLANGE	A216 WCB	A351 CF8M
18	GLAND RING	A182 F6a	A182 F316
19	YOKE	A216 WCB	A351 CF8M
20	YOKE BOLT	A193 B7	A193 B8
21	YOKE NUT	A194 2H	A194 8
22	GEAR OPERATOR	CP <sup>(4)</sup>	CP <sup>(4)</sup>

NOTES:  
 Material List as example, other TRIMS available upon request, please contact us.  
 (1) W.T. = Wall Thickness.  
 (2) Material list as example, other materials and trims available; please contact us.  
 (3) Flexible Graphite.  
 (4) CP = Composite Parts.





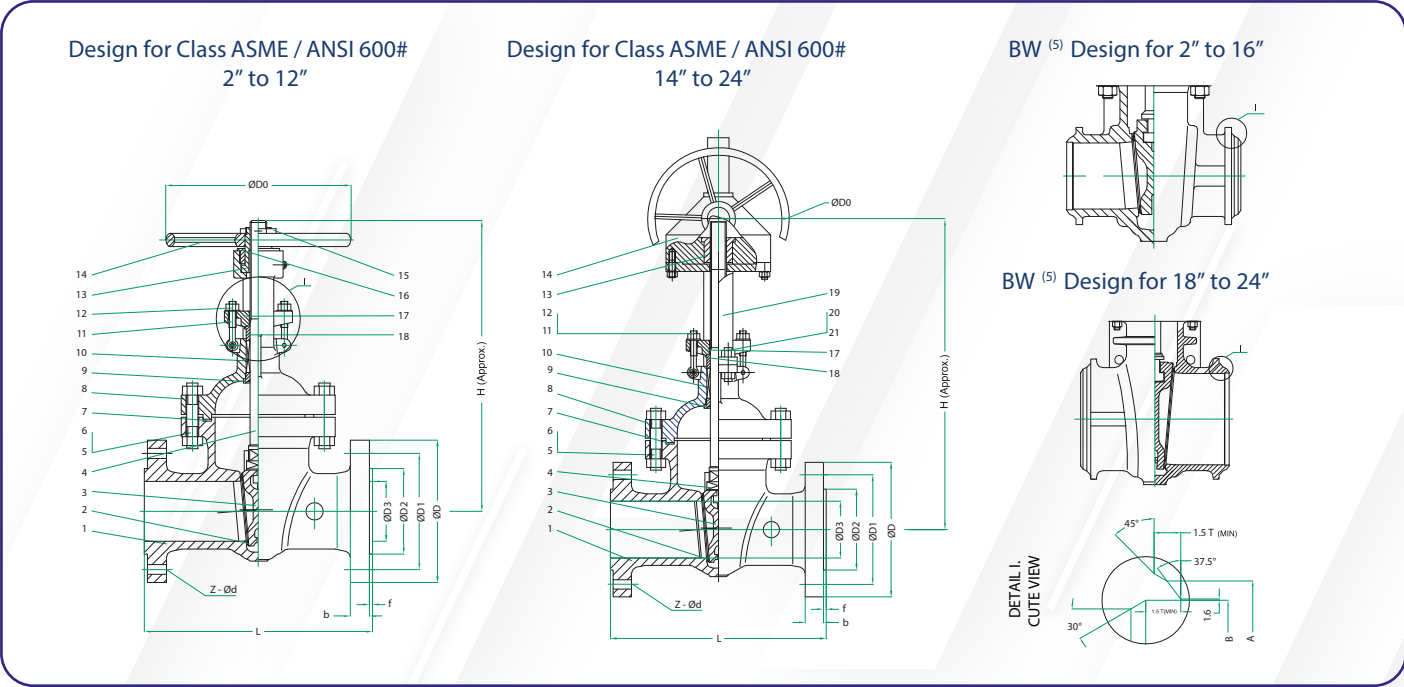
## Dimensions (inches)

### ASME / ANSI CLASS 150#

SIZE	ØD3 (in)	L (in)	H (in)	ØD0 (in)	ØD (in)	ØD1 (in)	ØD2 (in)	b (in)	f (in)	Z (in)	Ød (in)	ØA <sup>(5)</sup> (in) sch. 40	ØB <sup>(5)</sup> (in) sch. 40	CV (USgpm)	Weighth (lb)	Torque (lb*in)
2"	2.008	7.008	12.795	7.874	5.906	4.752	3.626	0.563	0.079	4	0.748	2.441	2.066	-	33.510	115.044
2 1/2"	2.559	7.480	15.354	8.661	7.087	5.500	4.126	0.626	0.079	4	0.748	2.953	2.468	-	47.399	115.044
3"	2.992	7.992	16.142	9.449	7.480	6.000	5.000	0.689	0.079	4	0.748	3.583	3.068	710	60.186	132.743
4"	4.016	9.016	18.110	10.236	9.055	7.500	6.189	0.878	0.079	8	0.748	4.606	4.026	1300	83.114	238.938
6"	5.984	10.512	23.819	11.811	11.024	9.500	8.500	0.941	0.079	8	0.886	6.7722	6.066	3100	133.159	318.584
8"	7.992	11.496	28.465	13.780	13.583	11.752	10.626	1.063	0.079	8	0.886	8.780	7.982	5720	230.383	557.522
10"	10.000	12.992	35.433	15.748	15.945	14.252	12.748	1.126	0.079	12	1.004	10.945	10.022	8940	403.446	743.363
12"	12.008	14.016	41.732	17.717	19.094	17.000	15.000	1.189	0.079	12	1.004	12.953	11.943	13350	507.064	1159.292
14"	13.228	15.000	47.638	19.685	21.063	18.752	16.252	1.315	0.079	16	1.122	14.252	13.124	16275	584.213	1336.283
16"	15.236	15.984	53.150	23.622	23.425	21.252	18.500	1.378	0.079	16	1.122	16.260	15.000	21560	864.213	2079.646
18"	17.244	17.008	60.110	17.717	25.000	22.752	21.000	1.500	0.079	20	1.260	18.268	16.876	28720	1278.682	2522.124
20"	19.213	17.992	68.110	17.717	27.559	25.000	23.000	1.626	0.079	20	1.260	20.315	18.812	35760	1719.607	3017.699
24"	23.228	20.000	79.921	21.260	32.087	29.500	27.252	1.815	0.079	20	1.378	24.370	22.624	52165	3306.937	5327.434

NOTE:  
\* Please consult with manufacturer.  
(5) Butt weld schedule 40, for others schedule please check with TFV.





**Dimensions (inches)**

ASME / ANSI CLASS 300#

SIZE	ØD3 (in)	L (in)	H (in)	ØD0 (in)	ØD (in)	ØD1 (in)	ØD2 (in)	b (in)	f (in)	Z (in)	Ød (in)	ØA <sup>(5)</sup> (in sch. 40)	ØB <sup>(5)</sup> (in sch. 40)	CV (USgpm)	Weigth (lb)	Torque (lb*in)
2"	2.008	8.504	13.465	7.874	6.496	5.000	3.626	0.815	0.079	8	0.748	2.441	2.066	*	*	*
2 1/2"	2.520	9.488	15.748	8.661	7.480	5.874	4.126	0.941	0.079	8	0.886	2.953	2.468	*	*	*
3"	2.992	11.102	16.181	9.843	8.268	6.626	5.000	1.063	0.079	8	0.886	3.583	3.068	*	*	*
4"	4.016	12.008	19.961	11.811	10.039	7.874	6.189	1.189	0.079	8	0.886	4.606	4.026	*	*	*
6"	5.984	15.866	25.591	13.780	12.598	10.626	8.500	1.315	0.079	12	0.886	6.7722	6.066	*	*	*
8"	7.992	16.496	30.709	15.748	14.961	13.000	10.626	1.563	0.079	12	1.004	8.780	7.982	*	*	*
10"	10.000	17.992	38.189	17.717	17.520	15.252	12.748	1.815	0.079	16	1.122	10.945	10.022	*	*	*
12"	12.008	19.764	43.701	19.685	20.472	17.717	15.000	1.941	0.079	16	1.260	12.953	11.943	*	*	*
14"	13.268	30.000	48.031	18.110	23.031	20.252	16.252	2.063	0.079	20	1.260	14.252	13.124	*	*	*
16"	15.236	32.992	56.299	18.110	25.591	22.500	18.500	2.189	0.079	20	1.378	16.260	15.000	*	*	*
18"	17.008	35.984	59.499	23.622	27.953	24.748	21.000	2.315	0.079	24	1.378	18.268	16.876	*	*	*
20"	18.976	39.016	66.142	23.622	30.512	27.000	23.000	2.441	0.079	24	1.378	20.315	18.812	*	*	*
24"	22.992	45.000	71.654	23.622	36.024	32.000	27.252	2.689	0.079	24	1.614	24.370	22.624	*	*	*

NOTE:  
 \* Please consult with manufacturer.  
 (5) Butt weld schedule 40, for others schedule please check with TFV.

## Dimensions (inches)

ASME / ANSI CLASS 600#

SIZE	ØD3 (in)	L (in)	H (in)	ØD0 (in)	ØD (in)	ØD1 (in)	ØD2 (in)	b (in)	f (in)	Z (in)	Ød (in)	ØA <sup>(5)</sup> (in) sch. 40	ØB <sup>(5)</sup> (in) sch. 40	CV (USgpm)	Weight (lb)	Torque (lb*in)
2"	2.008	11.496	13.976	7.874	6.496	5.000	3.626	1.000	0.076	8	0.748	2.441	2.066	*	*	*
2 1/2"	2.559	12.992	14.764	8.661	7.480	5.874	4.126	1.126	0.076	8	0.886	2.953	2.468	*	*	*
3"	2.992	14.016	19.929	9.843	8.268	6.626	5.000	1.252	0.076	8	0.886	3.583	3.068	*	*	*
4"	3.937	17.008	20.079	11.811	10.827	8.500	6.189	1.500	0.076	8	1.004	4.606	4.026	*	*	*
6"	5.984	22.008	26.575	13.780	13.976	11.500	8.500	1.878	0.076	12	1.122	6.7722	6.066	*	*	*
8"	7.874	25.984	34.055	17.717	16.535	13.748	10.626	2.189	0.076	12	1.260	8.780	7.982	*	*	*
10"	9.724	30.984	41.339	19.685	20.079	17.000	12.748	2.500	0.076	16	1.378	10.945	10.022	*	*	*
12"	11.732	32.992	47.244	19.685	22.047	19.252	15.000	2.626	0.076	20	1.378	12.953	11.943	*	*	*
14"	12.835	35.000	57.087	23.622	23.819	20.748	16.252	2.752	0.076	20	1.496	14.252	13.124	*	*	*
16"	14.724	39.016	62.992	23.622	26.969	23.748	18.500	3.000	0.076	20	1.614	16.260	15.000	*	*	*
18"	16.496	42.992	66.929	23.622	29.331	25.748	21.000	3.252	0.076	20	1.752	18.268	16.876	*	*	*
20"	18.268	47.008	78.740	23.622	32.087	28.500	23.000	3.500	0.076	24	1.752	20.315	18.812	*	*	*
24"	22.008	55.000	84.646	23.622	37.008	33.000	27.252	4.000	0.076	24	2.008	24.370	22.624	*	*	*

NOTE:

\* Please consult with manufacturer.

(5) Butt weld schedule 40, for other schedules please check with TFV.



## How to Order

BODY DESIGN (SERIES)	BONNET DESIGN		DISC DESIGN	SPECIAL FEATURES	MATERIAL		ENDS	CLASS	SIZE <sup>(9)</sup>	OPERATION					
	Bolted Bonnet	Flexible Wedge			Body	TRIM*				HO	GO				
50 Gate Valve OS&Y API 600 and Renewable Seats	B	F	None	01	Bronze Aluminum ASTM B148 UNS C95200	01	OBSOLETE	FRF	Flanged RF ASME B16.5F	0	ANSI 150#	02	2"	HO	Solid Handwheel Operator
				02	Bronze Aluminum ASTM B148 UNS C95300	02	SS304 / BM + SS304 / BM+SS304	FRA	Flanged RF ASME B16.47 SERIES A	3	ANSI 300#	2.5	2 1/2"	GO	Gear Operator with Solid Handwheel
				03	Bronze Aluminum ASTM B148 UNS C95600	03	SS310 / BM + SS310 / BM+SS310	FRB	Flanged RF ASME B16.47 SERIES B	6	ANSI 600#	03	3"	BS	Bare Shaft
				04	Bronze Aluminum ASTM B148 UNS C95500	04	SS410 / BM+13CR-H / BM+13CR-H	RTA	Flanged RTJ ASME B16.47 SERIES A	9	ANSI 900#	04	4"	EA	Electric Actuator
				05	Bronze Aluminum ASTM B148 UNS C95800	05	SS410 / BM+HF / BM+HF	RTB	Flanged RTJ ASME B16.47 SERIES B			05	5"	PA	Pneumatic Actuator
				20	A216 Gr WCB	06	SS410 / BM+13Cr / BM+Monel	RTJ	Flanged RTJ ASME B16.5			06	6"	HX <sup>(12)</sup>	Extended Stem & Solid Handwheel
				21	A216 Gr WCC	07	SS410 / BM+13CR / BM+13CR-H	FFF	Flanged FF ASME B16.1			08	8"	GX <sup>(12)</sup>	Extended Stem & GearBox Operator with Solid Handwheel
				22	A352 Gr LCB <sup>(6)</sup>	08	SS410 / BM+13CR / BM+HF	BST	Buttweld SCH STD ASME B16.25/ ASME B36.10			10	10"	BX <sup>(12)</sup>	Extended Stem & Bare Shaft
				23	A352 Gr LC3 <sup>(6)</sup>	09	Monel / Monel / Monel	BXS	Buttweld Extra Strong wall thickness ASME B16.25/ ASME B36.10			12	12"	EX <sup>(12)</sup>	Extended Stem & Electric Actuator
				24	A217 Gr WC1	10	SS316 / BM + SS316 / BM+SS316	BXX	Buttweld doble Extra Strong wall thickness ASME B16.25/ ASME B36.10			14	14"	PX <sup>(12)</sup>	Extended Stem & Pneumatic Actuator
51 Gate Valve OS&Y API 603/ASME B16.34 and Integral Seats	B	S	25	A217 Gr WC6 <sup>(7)</sup>	11	Monel / Monel / BM+HF o Monel / Monel / BM+NiCr Alloy	B10	Buttweld SCH 10 ASME B16.25/ ASME B36.10			16	16"	HC	Handwheel which has a Locking Device	
			26	A217 Gr WC9 <sup>(7)</sup>	12	SS316 / BM + SS316 / BM+HF o SS316 / BM + SS316 / BM+NiCr Alloy	B20	Buttweld SCH 20 ASME B16.25/ ASME B36.10			18	18"	GC	GearBox Operator which has a Locking Device	
			27	A217 Gr C5 <sup>(7)</sup>	13	Alloy 20 / Alloy 20 / Alloy 20	B30	Buttweld SCH 30 ASME B16.25/ ASME B36.10			20	20"	HL	Extended Stem & Handwheel which has a Locking Device	
			28	A217 Gr C12 <sup>(6)</sup>	14	ALLOY 20 / ALLOY 20 / BM + HF o ALLOY 20 / ALLOY 20 / BM + NiCr Alloy	B40	Buttweld SCH 40 ASME B16.25/ ASME B36.10			24	24"	GL	Extended Stem & GearBox Operator which has a Locking Device	
			29	A217 Gr C12A	15	SS304 / BM+HF / BM + HF	B60	Buttweld SCH 60 ASME B16.25/ ASME B36.10			28	28"	YA	Hydraulic Actuator	
			30	A351 Gr CF8M <sup>(8)</sup>	16	SS316 / BM + HF / BM+HF					30	30"	YX	Extended Stem & Hydraulic Actuator	
			31	A351 Gr CF3M <sup>(8)</sup>							36	36"	GH <sup>(11)</sup>	GearBox Operator with Solid Handwheel And Chain Operator.	
			32	A351 Gr CF8 <sup>(8)</sup>									HH <sup>(11)</sup>	Handwheel Operator with Solid Handwheel And Chain Operator.	
			33	A351 Gr CF3 <sup>(8)</sup>									HB	Extended Bonnet & Solid Handwheel	
			34	A351 Gr CF8M / CF3M <sup>(10)</sup>									GB	Extended Bonnet & GearBox Operator with Solid Handwheel	
35	A351 Gr CF8 / CF3 <sup>(10)</sup>									BB	Extended Bonnet & Bare Shaft				
36	A351 Gr CG8M														
37	A351 Gr CG3M														
38	A351 Gr CF10														
39	V A351 Gr CF10M														
40	ASTM A494 M35-1 (UNS N04400)														
41	ASTM A351 CN7M (Alloy 20)														
42	ASTM A494-CW12MW (Hastelloy C276)														
43	ASTM A351 CD3MN (Duplex 2205)														



BODY DESIGN (SERIES)	BONNET DESIGN	DISC DESIGN	SPECIAL FEATURES	MATERIAL		ENDS	CLASS	SIZE <sup>(9)</sup>	OPERATION								
				BODY	TRIM*												
50 Gate Valve OS&Y API 600 and Renewable Seats	B Bolted Bonnet	F Flexible Wedge  S Solid Wedge	BA Bellow Seal With Live Loads, Nace MR 0103 & Fire Safe API 6FA	44	A351 Gr CF8C	17	SS347 / BM + HF / BM + H	B80	Buttweld SCH 80 ASME B16.25/ ASME B36.10	0	ANSI 150#	02	2"	HO	Solid Handwheel Operator		
				45	ASTM A351 CN3MN (Duplex)	18	ALLOY 20 / BM + HF / BM + HF	B00	Buttweld SCH 100 ASME B16.25/ ASME B36.10	3	ANSI 300#	2.5	2 1/2"	GO	Gear Operator with Solid Handwheel		
				46	ASTM A351 CD4MCu / A890 5A (Super Duplex 2507)	19	Nickel alloy / BM + Nickel alloy / BM + Nickel alloy			6	ANSI 600#	03	3"				
					YP WITH BY PASS	20	Nickel alloy / Nickel alloy / Nickel alloy+HF	B12	Buttweld SCH 120 ASME B16.25/ ASME B36.10	9	ANSI 900#	04	4"	BS	Bare Shaft		
					YM BY PASS & Nace MR 0103							05	5"	EA	Electric Actuator		
					YN BY PASS & Nace MR 0175	47	ASTM A494-N12MV (Hastelloy B2)	21	Nickel alloy / Nickel alloy + HF / Nickel alloy +HF	B14	Buttweld SCH 140 ASME B16.25/ ASME B36.10	06	6"	PA	Pneumatic Actuator		
					YG BY PASS, Nace MR 0103 & Fire Safe API 6FA	48	ASTM A494-CY40	22	SS321 / SS321 / SS321	B16	Buttweld SCH 160 ASME B16.25/ ASME B36.10	08	8"	HX <sup>(12)</sup>	Extended Stem & Solid Handwheel		
					YA BY PASS, Nace MR 0175 & Fire Safe API 6FA	49	ASTM B564 N08800 (Inconel 800)	23	SS321 / SS321 / SS321 + HF	STF	BW SCH STD-Flanged RF ASME B16.5	12	12"	GX <sup>(12)</sup>	Extended Stem & GearBox Operator with Solid Handwheel		
					CB Bellow Seal	50	ASTM A494 M35-2 (UNS N05500)	24	SS321 / SS321 + HF / SS321 + HF	XXF	BW SCH XXS-Flanged RF ASME B16.5	14	14"	BX <sup>(12)</sup>	Extended Stem & Bare Shaft		
					HS Wet H2S Resistant Steels (Category1) NACE MR0103	51	ASTM A351 CK3MCuN	26	Full Bronze-Aluminum	10F	BW SCH 10-Flanged RF ASME B16.5	16	16"	EX <sup>(12)</sup>	Extended Stem & Electric Actuator		
51 Gate Valve OS&Y API 603/ASME B16.34 and Integral Seats				52	ASTM B367 C2 (TITANIUM)	30	ALLOY 625 / BM + ALLOY 625 / BM + ALLOY 625	20F	BW SCH 20-Flanged RF ASME B16.5								
				53	ASTM A995 CD3MWCuN6A (Super Duplex F55)	31	HASTELLOY C276/ BM + HASTELLOY C276 / BM + HASTELLOY C276	30F	BW SCH 30-Flanged RF ASME B16.5								
				54	ASTM A494 CU5MCuC (Incoloy 825)	32	ALLOY 825 / BM + ALLOY 825 / BM + ALLOY 825	40F	BW SCH 40-Flanged RF ASME B16.5								
				55	ASTM A494-CW6MC (Alloy 625)	33	ALLOY 625 / BM + ALLOY 625 / BM + HF	60F	BW SCH 60-Flanged RF ASME B16.5								
				56	ASTM A494-CZ100 (Alloy 200)	34	HASTELLOY C276 / BM + HASTELLOY C276 / BM + HF / BM + HF	80F	BW SCH 80-Flanged RF ASME B16.5								
				57	A351 Gr CF10M	35	ALLOY 825 / BM + ALLOY 825 / BM + HF	00F	BW SCH 100-Flanged RF ASME B16.5								
				58	ASTM A217 WC5	36	ALLOY 625 / BM + HF / BM +HF	12F	BW SCH 120-Flanged RF ASME B16.5								
				59	ASTM A182 F321	37	HASTELLOY C276 / BM + HF / BM + HF	14F	BW SCH 140-Flanged RF ASME B16.5								
				60	ASTM A395	38	ALLOY 825 / BM + HF / BM + HF	16F	BW SCH 160-Flanged RF ASME B16.5								
				61	GS-C25	39	ALLOY 2507 / BM + ALLOY 2507 / BM + ALLOY 2507	XSJ	BW SCH XS-Flanged RTJ ASME B16.5								
62	ASTM 310 (HK)	40	SS347 / BM + SS347 / BM + SS347	41	SS347 / BM + SS347 / BM + HF												



BODY DESIGN (SERIES)	BONNET DESIGN	DISC DESIGN	SPECIAL FEATURES	MATERIAL		ENDS	CLASS	SIZE <sup>(9)</sup>	OPERATION		
				BODY	TRIM*						
50 Gate Valve OS&Y API 600 and Renewable Seats	B Bolted Bonnet	F Flexible Wedge		42	ALLOY 2507 / BM + ALLOY 2507 / BM + HF	STJ	BW SCH STD-Flanged RTJ ASME B16.5	0 ANSI 150#	02 2"	HO	Solid Handwheel Operator
		S Solid Wedge		43	ALLOY 2507 / BM + HF / BM + HF	XXJ	BW SCH XXS-Flanged RTJ ASME B16.5	3 ANSI 300#	2.5 2 1/2"		
51 Gate Valve OS&Y API 603/ASME B16.34 and Integral Seats				44	SS304H / SS304H / SS304H			6 ANSI 600#	03 3"	GO	Gear Operator with Solid Handwheel
				45	SS304H / SS304H / HF			9 ANSI 900#	04 4"		
				46	SS304H / HF / HF	10J	BW SCH 10-Flanged RTJ ASME B16.5		05 5"	BS	Bare Shaft
				47	UNS N08810 / UNS N08810 / HF	20J	BW SCH 20-Flanged RTJ ASME B16.5		06 6"		
				48	SS321 / SS321H+HF / SS321H+HF	30J	BW SCH 30-Flanged RTJ ASME B16.5		08 8"	EA	Electric Actuator
				49	TRIM 49 (Stem in ASTM B564 N08810 (Incoloy 800) , Seats in ASTM B564 N08810 (Incoloy 800) +STL, Wedge in ASTM B564 N08810 (Incoloy 800)+STL),	40J	BW SCH 40-Flanged RTJ ASME B16.5		10 10"	PA	Pneumatic Actuator
				50	TRIM 50 (Stem in ASTM B564 N08810 (Incoloy 800), Seats in ASTM B564 N08810 (Incoloy 800), Wedge in ASTM B564 N08810 (Incoloy 800)),	60J	BW SCH 60-Flanged RTJ ASME B16.5		12 12"		
				51	ASTM B381 Gr.2/ASTM B381 Gr.2/ASTM B381 Gr.2	80J	BW SCH 80-Flanged RTJ ASME B16.5		14 14"	HX <sup>(12)</sup>	Extended Stem & Solid Handwheel
				52	ASTM B381 Gr.2/ASTM B381 Gr.2	00J	BW SCH 100-Flanged RTJ ASME B16.5		16 16"		
				53	TRIM 53(Stem in IN718, Wedge in ASTM A182 F316, Seat in STL)	12J	BW SCH 120-Flanged RTJ ASME B16.5		18 18"	GX <sup>(12)</sup>	Extended Stem & GearBox Operator with Solid Handwheel
				54	TRIM 54 (Stem in ASTM 310 (HK), Wedge in ASTM 310 (HK), Seat in A182 F310 (HK))	14J	BW SCH 140-Flanged RTJ ASME B16.5		20 20"		
						16J	BW SCH 160-Flanged RTJ ASME B16.5		24 24"		
				BCU	Butweld Special SCH according to Customer specification <sup>(9)</sup>		36 36"	BX <sup>(12)</sup>	Extended Stem & Bare Shaft		
				12J	BW SCH 120-Flanged RTJ ASME B16.5			EX <sup>(12)</sup>	Extended Stem & Electric Actuator		
				14J	BW SCH 140-Flanged RTJ ASME B16.5			PX <sup>(12)</sup>	Extended Stem & Pneumatic Actuator		
				16J	BW SCH 160-Flanged RTJ ASME B16.5			HC	Handwheel which has a Locking Device		
				BCU	Butweld Special SCH according to Customer specification <sup>(9)</sup>			GC	GearBox Operator which has a Locking Device		
				XSA	BW SCH XS-Flanged RF ASME B16.47 Series A			HL	Extended Stem & Handwheel which has a Locking Device		
				STA	BW SCH STD-Flanged RF ASME B16.47 Series A			GL	Extended Stem & GearBox Operator which has a Locking Device		
				XXA	BW SCH XXS-Flanged RF ASME B16.47 Series A			YA	Hydraulic Actuator		
				10A	BW SCH 10-Flanged RF ASME B16.47 Series A			YX	Extended Stem & Hydraulic Actuator		
				20A	BW SCH 20-Flanged RF ASME B16.47 Series A			GH <sup>(11)</sup>	GearBox Operator with Solid Handwheel And Chain Operator.		
								HH <sup>(11)</sup>	Handwheel Operator with Solid Handwheel And Chain Operator.		
								HB	Extended Bonnet & Solid Handwheel		
								GB	Extended Bonnet & GearBox Operator with Solid Handwheel		
								BB	Extended Bonnet & Bare Shaft		





BODY DESIGN (SERIES)	BONNET DESIGN	DISC DESIGN	SPECIAL FEATURES	MATERIAL		ENDS	CLASS	SIZE <sup>(9)</sup>	OPERATION	
				BODY	TRIM*					
50 Gate Valve OS&Y API 600 and Renewable Seats	B Bolted Bonnet	F Flexible Wedge					0 ANSI 150#	02 2"	HO Solid Handwheel Operator	
		S Solid Wedge						2.5 2 1/2"		
51 Gate Valve OS&Y API 603/ASME B16.34 and Integral Seats							3 ANSI 300#	03 3"	GO Gear Operator with Solid Handwheel	
							6 ANSI 600#	04 4"		
							9 ANSI 900#	05 5"	BS Bare Shaft	
								06 6"		
							08 8"	EA Electric Actuator		
							10 10"	PA Pneumatic Actuator		
							12 12"			
							14 14"	HX <sup>(12)</sup> Extended Stem & Solid Handwheel		
							16 16"			
							18 18"	GX <sup>(12)</sup> Extended Stem & GearBox Operator with Solid Handwheel		
							20 20"			
							24 24"			
							36 36"	BX <sup>(12)</sup> Extended Stem & Bare Shaft		
	EX <sup>(12)</sup> Extended Stem & Electric Actuator									
	PX <sup>(12)</sup> Extended Stem & Pneumatic Actuator									
	HC Handwheel which has a Locking Device									
	GC GearBox Operator which has a Locking Device									
	HL Extended Stem & Handwheel which has a Locking Device									
	GL Extended Stem & GearBox Operator which has a Locking Device									
	YA Hydraulic Actuator									
	YX Extended Stem & Hydraulic Actuator									
	GH <sup>(11)</sup> GearBox Operator with Solid Handwheel And Chain Operator.									
	HH <sup>(11)</sup> Handwheel Operator with Solid Handwheel And Chain Operator.									
	HB Extended Bonnet & Solid Handwheel									
	GB Extended Bonnet & GearBox Operator with Solid Handwheel									
	BB Extended Bonnet & Bare Shaft									



**Example:**

Gate Valve OS&Y API 600, Bolted Bonnet, Flexible Wedge, Body WCB, Trim 5,  
Flanged RF ANSI Class 150#, Size 6" with Handwheel.

**50BFNN2005FRF006HO**

**NOTES:**

- \* If there is not your feature in this chart, please contact us to give you the suitable figure,
  - \* when the valve has a mix End is necessary to get the configuration from you ( Upstream End & Downstream End)
  - \* TRIM = Stem/ Disc Seat / Seat.
  - \* HF = Hard Faced, usually Stellite 6; other upon request.
  - \* BM = Body Material.
  - \* Please contact us for more available sizes.
  - \* For Extended Stem, confirm us the length from center of pipeline to center of Operator (Gearbox or Handwheel) figure will change on the last digits
  - \* Locking Device includes a chain with padlock.
- If you can't see some dimension, please contact us
- (6) Low Temperature Service.
  - (7) High Temperature Service.
  - (8) Stainless Steel.
  - (9) If Schedule is not according to ASME B16.25/ASME B36.10, please provide us your schedule
  - (10) Dual Certified Material
  - (11) Confirm length of Chain that you need
  - (12) Length of Extended stem must be supplied by customer length must be from center line of pipe to operator, figure will change on the last digits
  - (13) Dimension of hole will be part of figure on the last digits

